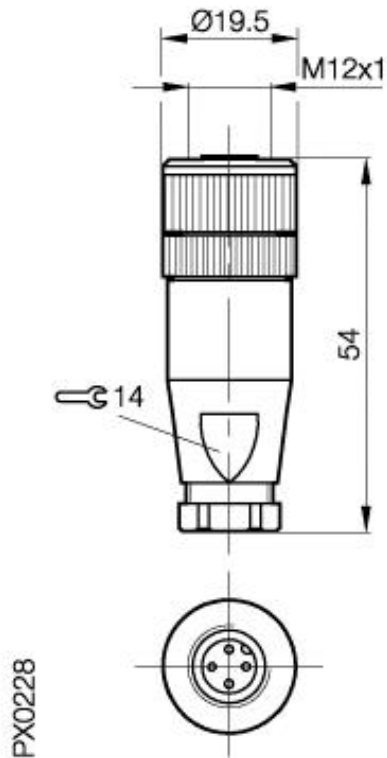


## Accessories: Connectors BKS-S144-00



### Common Data

Version	Connector, straight, 4-pin
Usable with	on Sensors with connection S4 (DC, M12)
Manufacturer	Binder
Ambient temperature	-25°C...+100°C

### Mechanical Data

Measurements WxHxD or Dia x D	54xØ19,5
Material	Body PA/nickel plated brass
Protection class per IEC 60529	IP68
Cable version	for user assembly
Mounting	Screwed terminal max. 0,75mm <sup>2</sup>

### Electrical Data

Supply voltage	10...30DC
----------------	-----------



Datasheet number::

Definitions see general catalog.  
If not otherwise noted, ratings according to IEC 60947-5-2 (DIN EN60947-5-2)

Balluff GmbH  
Schurwaldstrasse 9  
73765 Neuhausen a.d.F.  
Phone (07158) 173-0 Fax (07158) 5010

Datenblatt by CD-ROM - 04/2007

**BALLUFF**  
sensors worldwide