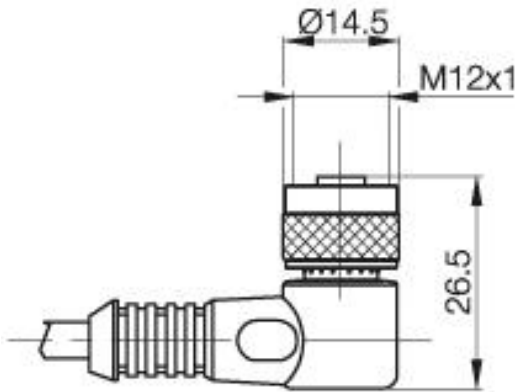


Accessories: Connectors BKS-S138-PU-

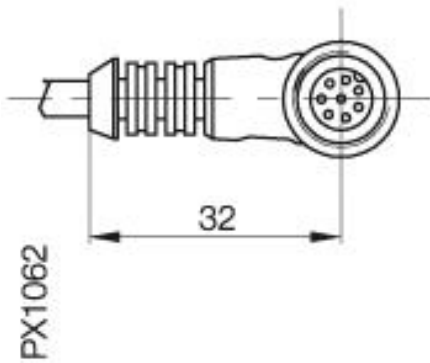


Common Data

Version	Connector, angle, 8-pin, shielded
Usable with	on Sensors BFS26K, BOD26K, BOD 63M
Manufacturer	Lumberg
Ambient temperature	-25°C...+80°C

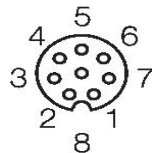
Mechanical Data

Measurements WxHxD or Dia x D	32x26x $\varnothing 14.5$
Protection class per IEC 60529	IP67
Cable version	fully potted PUR
Conductor cross section	8 x 0,25mm ²



Electrical Data

Supply voltage	30V AC / 36V DC
----------------	-----------------



Datasheet number::

Definitions see general catalog.
If not otherwise noted, ratings according to
IEC 60947-5-2 (DIN EN60947-5-2)

Balluff GmbH
Schurwaldstrasse 9
73765 Neuhausen a.d.F.
Phone (07158) 173-0 Fax (07158) 5010

Datenblatt by CD-ROM - 04/2007

BALLUFF
sensors worldwide