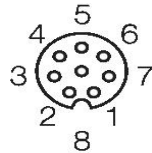
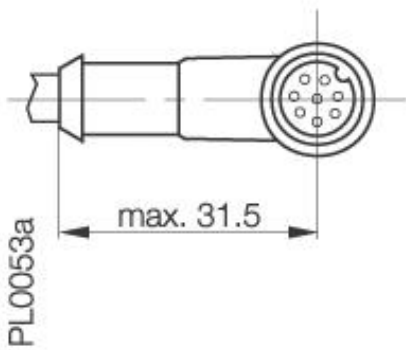
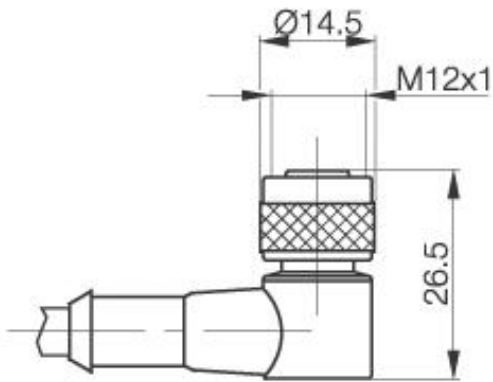


Accessories: Connectors BKS-S116-PU-



Common Data

Version	Connector, right angle, 8-pin
Usable with	for BFS 26K-PS-L01-S115
Manufacturer	Lumberg
Ambient temperature	-25°C...+90°C
Function display	no
Supply voltage display	no

Mechanical Data

Measurements WxHxD or Dia x D	26.5 x 31.5 x 14.5mm
Material	Housing Polyether TPU
Protection class per IEC 60529	IP67
Cable version	fully potted PUR
Conductor cross section	8 x 0,25mm ²

Electrical Data

Supply voltage	36VDC
----------------	-------

Datasheet number::

Definitions see general catalog.
If not otherwise noted, ratings according to
IEC 60947-5-2 (DIN EN60947-5-2)

Balluff GmbH
Schurwaldstrasse 9
73765 Neuhausen a.d.F.
Phone (07158) 173-0 Fax (07158) 5010

Datenblatt by CD-ROM - 04/2007

BALLUFF
sensors worldwide