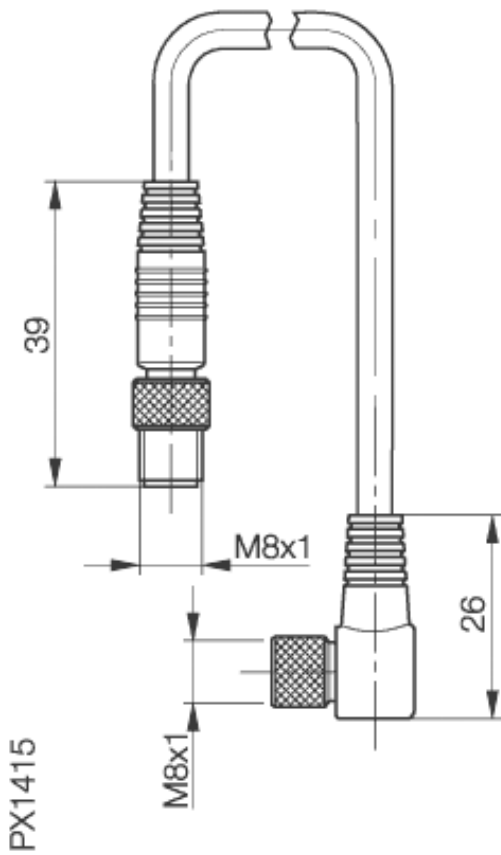


Accessories: Connectors BKS-S102-1-GS49-PU-



Common Data

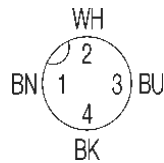
Version	Connector, angle/straight, 3-pin
Usable with	with sensors S49 (DC, NO/NC, M8)
Manufacturer	Binder
Ambient temperature	-25°C...+85°C
Function display	no
Supply voltage display	no

Mechanical Data

Measurements WxHxD or Dia x D	26xM8 + 39xM8
Protection class per IEC 60529	IP67
Cable version	LifY-Y-11Y-0 / PUR
Conductor cross section	3 x 0,25

Electrical Data

Supply voltage	60AC/75DC
----------------	-----------



Datasheet number::

Definitions see general catalog.
If not otherwise noted, ratings according to
IEC 60947-5-2 (DIN EN60947-5-2)

Balluff GmbH
Schurwaldstrasse 9
73765 Neuhausen a.d.F.
Phone (07158) 173-0 Fax (07158) 5010

Datenblatt by CD-ROM - 04/2007

BALLUFF
sensors worldwide