





**General Features:**

This section presents sensors already cabled to male connectors for particular applications. Specific cable lengths are available upon request on all the products. BDC versions with rotating nut allow the direct connection to the connection boxes getting down the costs and improving the reliability of the plant. Other solutions with different products are possible according to the customer specification. The suggested connectors have to be matched to the sensors according to the cable sections, indicated on the ordering references tables inside the catalogue.

## HOW TO COMPOSE THE ORDERING REFERENCES

Type

<b>DCA</b>	<b>8</b>	<b>/</b>	<b>4</b>	<b>F</b>	<b>0</b>	<b>9</b>	<b>KS</b>	<b>-</b>	<b>0,3</b>
------------	----------	----------	----------	----------	----------	----------	-----------	----------	------------

Cable length (m)

Type	Dimensions	Manufacturer	Series	Degree of protection	Suitable for cables diameter (mm)
F		BDC	M8 x 1 fixed nut	IP67	3 - 3,5 - 4 - 5
R		BDC	M8 x 1 rotating nut	IP67	3 - 3,5 - 4 - 5
H		BDC	M12 x 1 rotating nut	IP68	4 - 5
M		Tyco-AMP	Superscal	IP67	4 - 5 - 6
D		Deutsch	DTM	IP67	4 - 5 - 6
DT		Deutsch	DT	IP67	5 - 6

Note: more detailed technical data are available on specific manufacturers data sheets.











## HOW TO INTERPRETE THE ORDERING REFERENCES

<b>N° Connector:</b>	<b>8B</b>	= angled female M12 x 1 for d.c. sensors
	<b>8M</b>	= straight male M8 x 1 for d.c. sensors
	<b>9</b>	= straight male M12 x 1 for d.c. sensors
	<b>9B</b>	= angled male M12 x 1 for d.c. sensors
	<b>10</b>	= straight female M12 x 1 for d.c. sensors
	<b>11</b>	= straight female M8 x 1 for d.c. sensors
	<b>12</b>	= angled female M8 x 1 for d.c. sensors
	<b>15</b>	= straight female M12 x 1 single key for a.c. sensors
	<b>16</b>	= angled female M12 x 1 single key for a.c. sensors
	<b>17</b>	= straight female M12 x 1 double key for a.c. sensors
<b>18</b>	= angled female M12 x 1 double key for a.c. sensors	

<b>0</b>	= without LED
<b>2</b>	= with 2 LED

<b>C</b>	<b>10</b>	<b>/</b>	<b>2</b>	<b>P</b>	<b>3</b>	<b>2</b>	<b>PV</b>	<b>A</b>
----------	-----------	----------	----------	----------	----------	----------	-----------	----------

<b>0</b>	= without LED
<b>P</b>	= PNP with LED
<b>N</b>	= NPN with LED

<b>N° conductors:</b>	<b>3</b>	= 3 wires
	<b>4</b>	= 4 wires
	<b>5</b>	= 5 wires

<b>Cable length m.</b>	<b>2</b>	= 2 m.
	<b>5</b>	= 5 m.
	<b>10</b>	= 10 m.

<b>Cable material:</b>	<b>PV</b>	= PVC (orange)
	<b>PR</b>	= PUR (orange)
	<b>VS</b>	= PVC shielded
	<b>T</b>	= Thermoplastic rubber (-40° ÷ + 140° C)

<b>Atex Versions:</b>	<b>A</b>	= 1G - 1D Category
	<b>3GD</b>	= 3G - 3D Category

### Note:

Using female connectors, please consider an insertion length inside the sensor, which is :

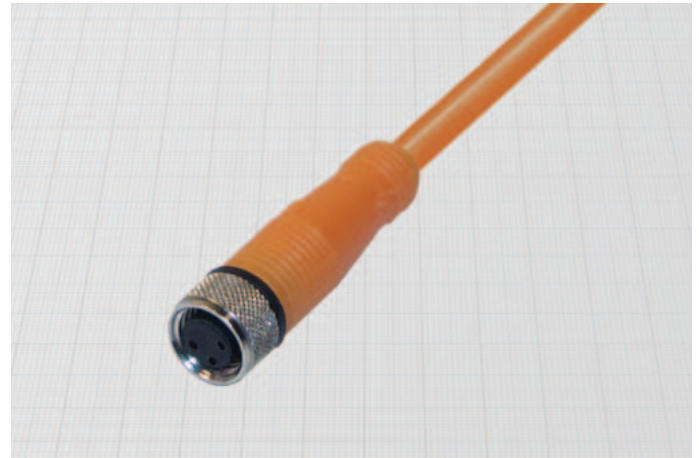
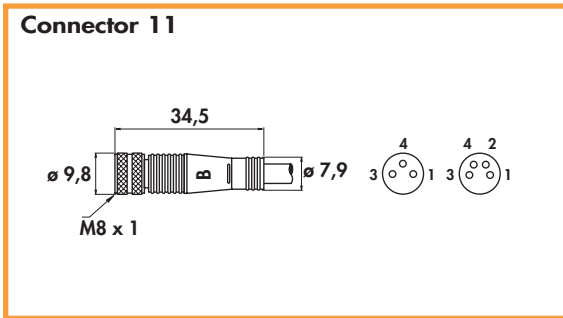
M12 connectors	= 8 mm
M8 connectors	= 4 mm

I.e. Sensor DSA8/4909KS total length = 35 mm  
 Connector C12/0032PV total length = 17,5 mm  
 Overall dimension sensor + connector = (35 + 17,5) - 4 = 48,5 mm.





**Straight in d.c.** •  
**Moulded with cable** •  
 According to EN 60947-5-2 •



**General Features:**

Female connectors of this section can be matched to the proximity sensors as indicated on the ordering references tables of the products. They must be separately ordered.

These models offer a high degree of protection even in small dimensions. They are infact suitable for the smaller models of d.c. sensors. The self securing locking nut assures the resistance to vibrations.

Grey moulding and cable are available upon request.

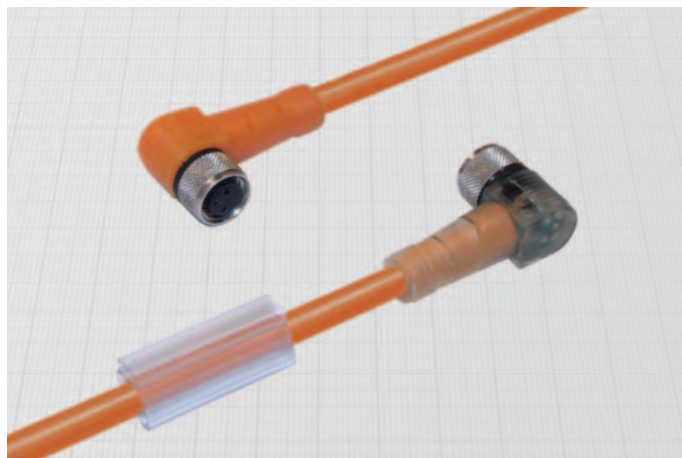
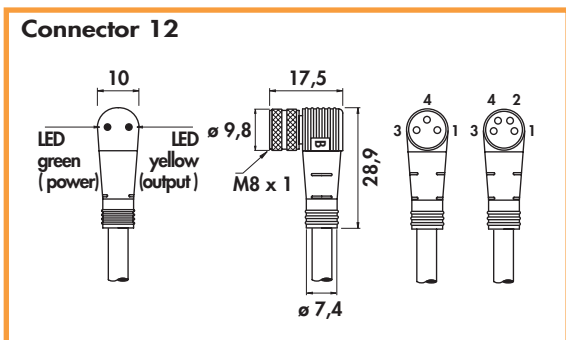
**Technical data:**

- Operating voltage: 10 ÷ 30 Vdc types with LED  
max 50 Vac/75 Vdc types without LED
- Maximum current: 4 A
- Contact resistance: ≤ 5 mΩ
- Contacts: CuZn, brass pre-nickel and gold plated (0,8 µm)
- Moulding: PUR
- Locking nut: self-locking in CuZn, nickel plated brass
- O-Ring: NBR
- Temperature range: -25° ÷ +90°C
- Degree of protection: IP68 with plug in fully locked position

Connector n°	ORDERING REFERENCES						
	Cable		3 wires	3 wires with LED	4 wires	3 wires + shield	
	Section		3 x 0,35 mm <sup>2</sup> - ø ext. 4	3 x 0,35 mm <sup>2</sup> - ø ext. 4	4 x 0,25 mm <sup>2</sup> - ø ext. 4	3 x 0,22 mm <sup>2</sup> + sch. - ø ext. 4	
	Material	Length m.	1) brown + 4) black output 3) blue -	<b>PNP</b> 1) brown + 4) black output LED yellow LED green 3) blue -	<b>NPN</b> 1) brown + LED yellow LED green 4) black output 3) blue -	1) brown + 4) black output NO 2) white output NC 3) blue -	1) brown + 4) black output 3) blue - 2) shield
11	PVC	2	C11/0032PV	C11/2P32PV	C11/2N32PV	C11/0042PV	C11/0042VS
11	PVC	5	C11/0035PV	C11/2P35PV	C11/2N35PV	C11/0045PV	C11/0045VS
11	PVC	10	C11/00310PV	C11/2P310PV	C11/2N310PV	C11/00410PV	C11/00410VS
11	PUR	2	C11/0032PR	C11/2P32PR	C11/2N32PR	C11/0042PR	-
11	PUR	5	C11/0035PR	C11/2P35PR	C11/2N35PR	C11/0045PR	-
11	PUR	10	C11/00310PR	C11/2P310PR	C11/2N310PR	C11/00410PR	-

## FEMALE CONNECTORS M8 x 1

- Angled in d.c.
- Moulded with cable
- According to EN 60947-5-2



### General Features:

Female connectors of this section can be matched to the proximity sensors as indicated on the ordering references tables of the products. They must be separately ordered.

These models offer a high degree of protection even in small dimensions. They are in fact suitable for the smaller models of d.c. sensors. The self securing locking nut assures the resistance to vibrations.

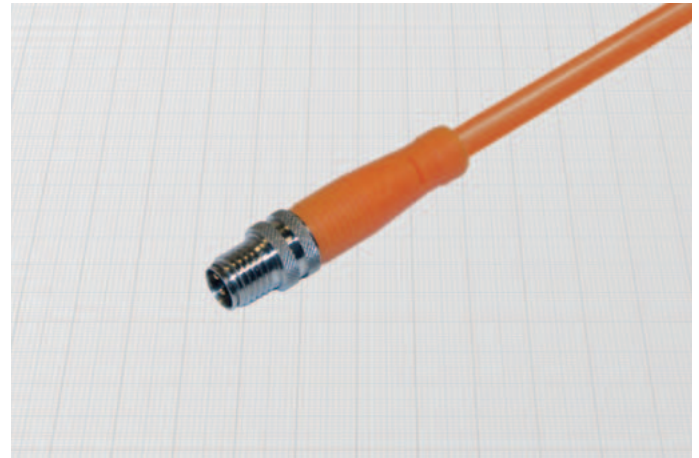
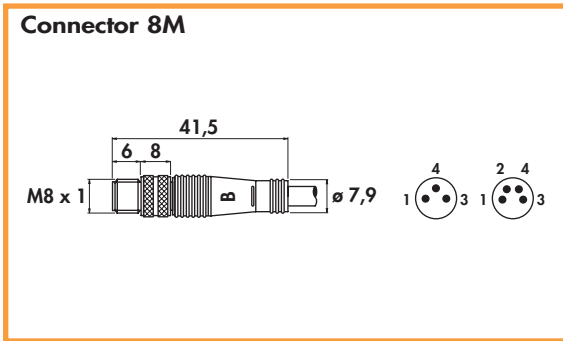
Grey moulding and cable are available upon request.

### Technical data:

- Operating voltage:  $10 \div 30$  Vdc types with LED  
max 50 Vac/75 Vdc types without LED
- Maximum current: 4 A
- Contact resistance:  $\leq 5$  m $\Omega$
- Contacts: CuZn, brass pre-nickel and gold plated (0,8  $\mu$ m)
- Moulding: PUR
- Locking nut: self-locking in CuZn, nickel plated brass
- O-Ring: NBR
- Temperature range:  $-25^\circ \div +90^\circ$  C
- Degree of protection: IP68 with plug in fully locked position

Connector n°	Cable	ORDERING REFERENCES					
		3 wires		3 wires with LED		4 wires	3 wires + shield
		3 x 0,35 mm <sup>2</sup> - $\varnothing$ ext. 4		3 x 0,35 mm <sup>2</sup> - $\varnothing$ ext. 4		4 x 0,25 mm <sup>2</sup> - $\varnothing$ ext. 4	3 x 0,22 mm <sup>2</sup> + sch. - $\varnothing$ ext. 4
Material	Length m.	PNP brown + black output LED yellow LED green blue -		NPN brown + LED yellow LED green black output blue -		brown + black output white output NO blue output NC blue - shield	
12	PVC	2	C12/0032PV	C12/2P32PV	C12/2N32PV	C12/0042PV	C12/0042VS
12	PVC	5	C12/0035PV	C12/2P35PV	C12/2N35PV	C12/0045PV	C12/0045VS
12	PVC	10	C12/00310PV	C12/2P310PV	C12/2N310PV	C12/00410PV	C12/00410VS
12	PUR	2	C12/0032PR	C12/2P32PR	C12/2N32PR	C12/0042PR	-
12	PUR	5	C12/0035PR	C12/2P35PR	C12/2N35PR	C12/0045PR	-
12	PUR	10	C12/00310PR	C12/2P310PR	C12/2N310PR	C12/00410PR	-

**Straight in d.c.** •  
**Moulded with cable** •  
 According to EN 60947-5-2 •



**Technical data:**

- Operating voltage: max 50 Vac/75 Vdc
- Maximum current: 4 A
- Contact resistance:  $\leq 5 \text{ m}\Omega$
- Contacts: CuZn, brass pre-nickeled and gold plated (0,8  $\mu\text{m}$ )
- Moulding: orange PUR
- Locking nut: CuZn, nickel plated brass
- Temperature range:  $-25^\circ \div +90^\circ\text{C}$
- Degree of protection: IP67 with plug in fully locked position

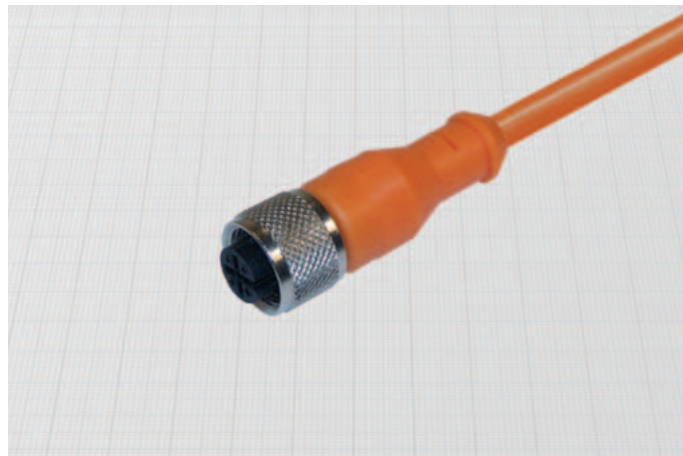
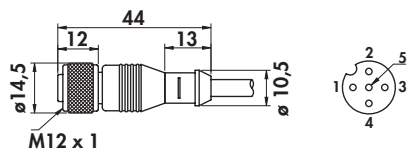
Connector n°	Cable		ORDERING REFERENCES		
			3 wires	4 wires	3 wires + shield
	Section	3 x 0,35 mm <sup>2</sup> - $\emptyset$ ext. 4	4 x 0,25 mm <sup>2</sup> - $\emptyset$ ext. 4	3 x 0,22 mm <sup>2</sup> + shield - $\emptyset$ ext. 4	
Material	Length m.	1) brown + 4) black output 3) blue -	1) brown + 4) black output NO 2) white output NC 3) blue -	1) brown + 4) black output 3) blue - 2) shield	
8M	PVC	2	<b>C8M/0032PV</b>	<b>C8M/0042PV</b>	<b>C8M/0042VS</b>
8M	PVC	5	<b>C8M/0035PV</b>	<b>C8M/0045PV</b>	<b>C8M/0045VS</b>
8M	PVC	10	<b>C8M/00310PV</b>	<b>C8M/00410PV</b>	<b>C8M/00410VS</b>
8M	PUR	2	<b>C8M/0032PR</b>	<b>C8M/0042PR</b>	-
8M	PUR	5	<b>C8M/0035PR</b>	<b>C8M/0045PR</b>	-
8M	PUR	10	<b>C8M/00310PR</b>	<b>C8M/00410PR</b>	-



## FEMALE CONNECTORS M12 x 1

- **STRAIGHT** in d.c.
- **Moulded with cable**
- According to EN 60947-5-2

Connector 10



### General Features:

Female connectors of this section can be matched to the proximity sensors as indicated on the ordering references tables of the products. They must be separately ordered. Particular moulding processes assure the maximum sealing, making these products suitable even for heavy applications. The self securing locking nut assures the resistance to vibrations. The two wires version can be used with all the two wires d.c. sensors either in N.O. or N.C. versions.

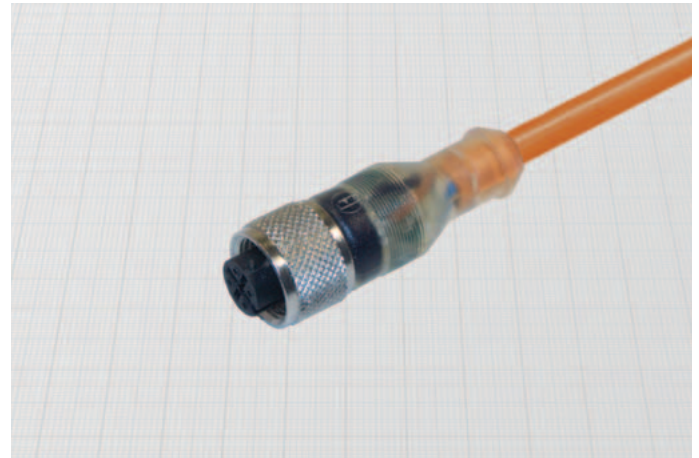
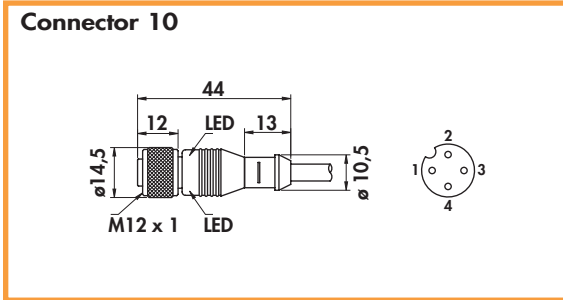
The shielded version offers a complete 360° shielding connected to the external nut. Grey moulding and cable are available upon request.

### Technical data:

- Operating voltage: max 50 Vac/75 Vdc
- Maximum current: 4 A
- Contact resistance:  $\leq 5 \text{ m}\Omega$
- Contacts: CuZn, brass pre-nickel and gold plated (0,8  $\mu\text{m}$ )
- Moulding: orange PUR
- Locking nut: self-locking in CuZn, nickel plated brass
- O-Ring: NBR
- Temperature range:  $-25^\circ \div +90^\circ\text{C}$
- Degree of protection: IP68 with plug in fully locked position

Connector n°	ORDERING REFERENCES					
	Cable	2 wires	3 wires	4 wires	5 wires + shield	
		Section	2 x 0,75 mm <sup>2</sup> - $\varnothing$ ext. 5 (blu)	3 x 0,50 mm <sup>2</sup> - $\varnothing$ ext. 5	4 x 0,35 mm <sup>2</sup> - $\varnothing$ ext. 5	5 x 0,22 mm <sup>2</sup> - $\varnothing$ ext. 5
	Material	Length m.	1) brown + 2) blue - 3) - 4) -	1) brown + 2) black output 3) blue -	1) brown + 2) black output NO 3) white output NC 4) - 5) grey signal 6) blue -	
10	PVC	2	<b>C10/0022PV</b>	<b>C10/0032PV</b>	<b>C10/0042PV</b>	<b>C10/0052VS</b>
10	PVC	5	<b>C10/0025PV</b>	<b>C10/0035PV</b>	<b>C10/0045PV</b>	<b>C10/0055VS</b>
10	PVC	10	<b>C10/00210PV</b>	<b>C10/00310PV</b>	<b>C10/00410PV</b>	<b>C10/00510VS</b>
10	PUR	2	<b>C10/0022PR</b>	<b>C10/0032PR</b>	<b>C10/0042PR</b>	-
10	PUR	5	<b>C10/0025PR</b>	<b>C10/0035PR</b>	<b>C10/0045PR</b>	-
10	PUR	10	<b>C10/00210PR</b>	<b>C10/00310PR</b>	<b>C10/00410PR</b>	-

**Straight in d.c. with LED** •  
**Moulded with cable** •  
 According to EN 60947-5-2 •



**General Features:**

Female connectors of this section can be matched to the proximity sensors as indicated on the ordering references tables of the products. They must be separately ordered.

Particular moulding processes assure the maximum sealing, making these products suitable even for heavy applications. The self securing locking nut assures the resistance to vibrations.

Grey moulding and cable are available upon request.

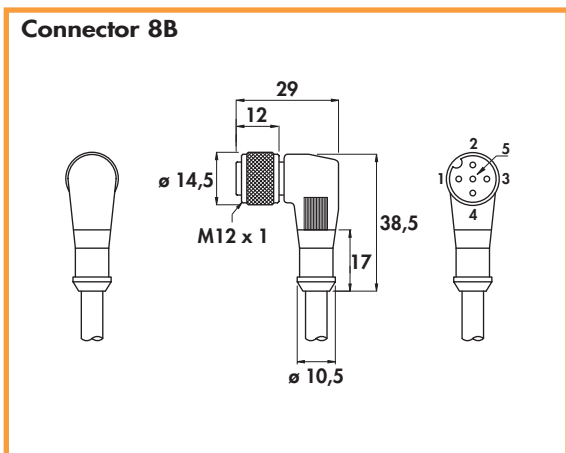
**Technical data:**

- Operating voltage: 10 ÷ 30 Vdc
- Maximum current: 4 A
- Contact resistance: ≤ 5 mΩ
- Contacts: CuZn, brass pre-nickel and gold plated (0,8 μm)
- Moulding: transparent PUR
- Locking nut: self-locking in CuZn, nickel plated brass
- O-Ring: NBR
- Temperature range: - 25° ÷ + 90°C
- Degree of protection: IP68 with plug in fully locked position

Connector n°	Cable	ORDERING REFERENCES				
		3 wires with LED		4 wires with LED		
		3 x 0,50 mm <sup>2</sup> - ø ext. 5		4 x 0,35 mm <sup>2</sup> - ø ext. 5		
Material	Length m.	PNP	NPN	PNP	NPN	
10	PVC	2				
10	PVC	5	<b>C10/2P32PV</b>	<b>C10/2N32PV</b>	<b>C10/2P42PV</b>	<b>C10/2N42PV</b>
10	PVC	10	<b>C10/2P35PV</b>	<b>C10/2N35PV</b>	<b>C10/2P45PV</b>	<b>C10/2N45PV</b>
10	PVC	10	<b>C10/2P310PV</b>	<b>C10/2N310PV</b>	<b>C10/2P410PV</b>	<b>C10/2N410PV</b>
10	PUR	2	<b>C10/2P32PR</b>	<b>C10/2N32PR</b>	<b>C10/2P42PR</b>	<b>C10/2N42PR</b>
10	PUR	5	<b>C10/2P35PR</b>	<b>C10/2N35PR</b>	<b>C10/2P45PR</b>	<b>C10/2N45PR</b>
10	PUR	10	<b>C10/2P310PR</b>	<b>C10/2N310PR</b>	<b>C10/2P410PR</b>	<b>C10/2N410PR</b>

## FEMALE CONNECTORS M12 x 1

- Angled in d.c.
- Moulded with cable
- According to EN 60947-5-2



### General Features:

Female connectors of this section can be matched to the proximity sensors as indicated on the ordering references tables of the products. They must be separately ordered.

Particular moulding processes assure the maximum sealing, making these products suitable even for heavy applications. The self securing locking nut assures the resistance to vibrations.

The two wires version can be used with all the two wires d.c. sensors either in N.O. or N.C. versions. The shielded version offers a shielding connected to the external nut. Grey moulding and cable are available upon request.

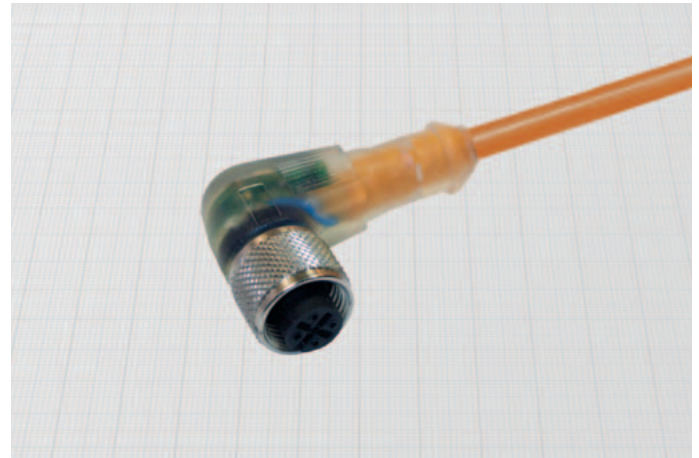
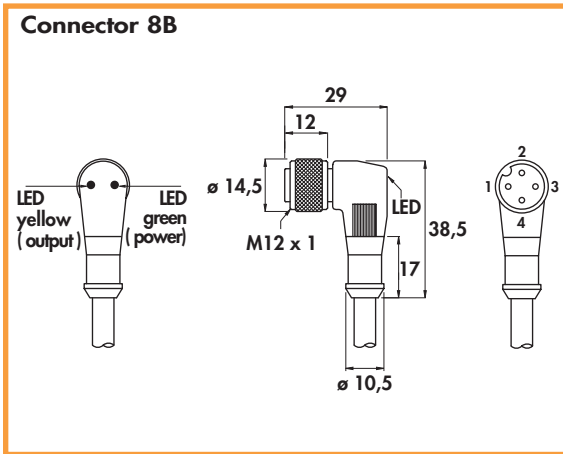
### Technical data:

- Operating voltage: max 50 Vac/75 Vdc
- Maximum current: 4 A
- Contact resistance:  $\leq 5 \text{ m}\Omega$
- Contacts: CuZn, brass pre-nickel and gold plated (0,8  $\mu\text{m}$ )
- Moulding: orange PUR
- Locking nut: self-locking in CuZn, nickel plated brass
- O-Ring: NBR
- Temperature range:  $-25^\circ \div +90^\circ \text{C}$
- Degree of protection: IP68 with plug in fully locked position

Connector n°		ORDERING REFERENCES				
		Cable	2 wires	3 wires	4 wires	5 wires + shield
Section		2 x 0,75 mm <sup>2</sup> - $\varnothing$ ext. 5 (blue)	3 x 0,50 mm <sup>2</sup> - $\varnothing$ ext. 5	4 x 0,35 mm <sup>2</sup> - $\varnothing$ ext. 5	5 x 0,22 mm <sup>2</sup> - $\varnothing$ ext. 5	
Material	Length m.					
8B	PVC	2	<b>C8B/0022PV</b>	<b>C8B/0032PV</b>	<b>C8B/0042PV</b>	<b>C8B/0052VS</b>
8B	PVC	5	<b>C8B/0025PV</b>	<b>C8B/0035PV</b>	<b>C8B/0045PV</b>	<b>C8B/0055VS</b>
8B	PVC	10	<b>C8B/00210PV</b>	<b>C8B/00310PV</b>	<b>C8B/00410PV</b>	<b>C8B/00510VS</b>
8B	PUR	2	<b>C8B/0022PR</b>	<b>C8B/0032PR</b>	<b>C8B/0042PR</b>	-
8B	PUR	5	<b>C8B/0025PR</b>	<b>C8B/0035PR</b>	<b>C8B/0045PR</b>	-
8B	PUR	10	<b>C8B/00210PR</b>	<b>C8B/00310PR</b>	<b>C8B/00410PR</b>	-



Angled in d.c. with LED •  
 Moulded with cable •  
 According to EN 60947-5-2 •



**General Features:**

Female connectors of this section can be matched to the proximity sensors as indicated on the ordering references tables of the products. They must be separately ordered. Thank to the implemented circuit, they allow to use the whole range of power supply of BDC sensors from 5 to 60 Vdc. Particular moulding processes assure the maximum sealing, making these products suitable even for heavy applications. The self securing locking nut assures the resistance to vibrations. Grey moulding and cable are available upon request.

**Technical data:**

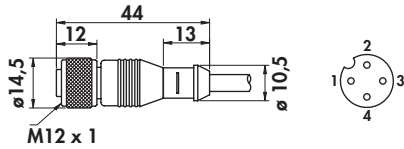
- Operating voltage: 5 ÷ 60 Vdc
- Maximum current: 4 A
- Power consumption: 8 mA at 24 V
- Contact resistance: ≤ 5 mΩ
- Contacts: CuZn, brass pre-nickel and gold plated (0,8 μm)
- Moulding: transparent PUR
- Locking nut: self-locking in CuZn, nickel plated brass
- O-Ring: NBR
- Temperature range: - 25° ÷ + 90° C
- Degree of protection: IP68 with plug in fully locked position

Connector n°			ORDERING REFERENCES			
			3 wires		4 wires	
Cable			3 x 0,50 mm <sup>2</sup> - ø ext. 5		4 x 0,35 mm <sup>2</sup> - ø ext. 5	
Section						
Material	Length m.		NPN 1) brown + 4) black output 3) blue - [E,60 via]	NPN 1) brown + 4) black output 3) blue - [E,60 via]	PNP 1) brown + 4) black output NO 2) white output NC 3) blue - [E,60 via]	NPN 1) brown + 4) black output NO 2) white output NC 3) blue - [E,60 via]
8B	PVC	2	<b>C8B/2P32PV</b>	<b>C8B/2N32PV</b>	<b>C8B/2P42PV</b>	<b>C8B/2N42PV</b>
8B	PVC	5	<b>C8B/2P35PV</b>	<b>C8B/2N35PV</b>	<b>C8B/2P45PV</b>	<b>C8B/2N45PV</b>
8B	PVC	10	<b>C8B/2P310PV</b>	<b>C8B/2N310PV</b>	<b>C8B/2P410PV</b>	<b>C8B/2N410PV</b>
8B	PUR	2	<b>C8B/2P32PR</b>	<b>C8B/2N32PR</b>	<b>C8B/2P42PR</b>	<b>C8B/2N42PR</b>
8B	PUR	5	<b>C8B/2P35PR</b>	<b>C8B/2N35PR</b>	<b>C8B/2P45PR</b>	<b>C8B/2N45PR</b>
8B	PUR	10	<b>C8B/2P310PR</b>	<b>C8B/2N310PR</b>	<b>C8B/2P410PR</b>	<b>C8B/2N410PR</b>

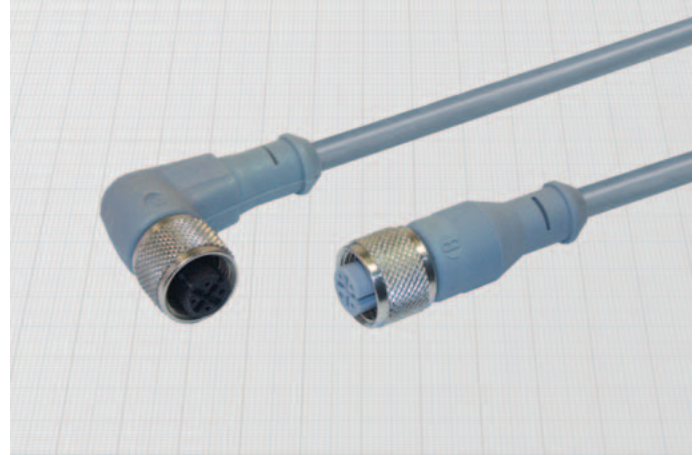
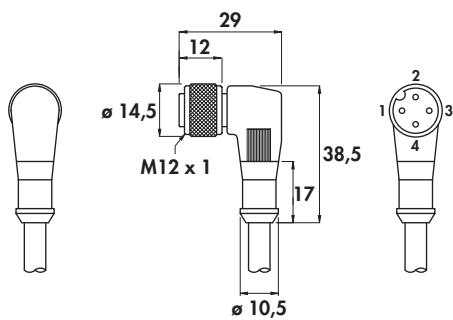
## FEMALE CONNECTORS M12 x 1

- For high temperatures: (-40° ÷ +120°C)
- Straight and angled in d.c.
- Moulded with cable
- According to EN 60947-5-2

Connector 10



Connector 8B



### General Features:

These female connectors are suitable for the use with BDC high temperature proximity sensors. They must be separately ordered.

Particular moulding processes assure the maximum sealing, making these products suitable even for heavy applications. The self securing locking nut assures the resistance to vibrations.

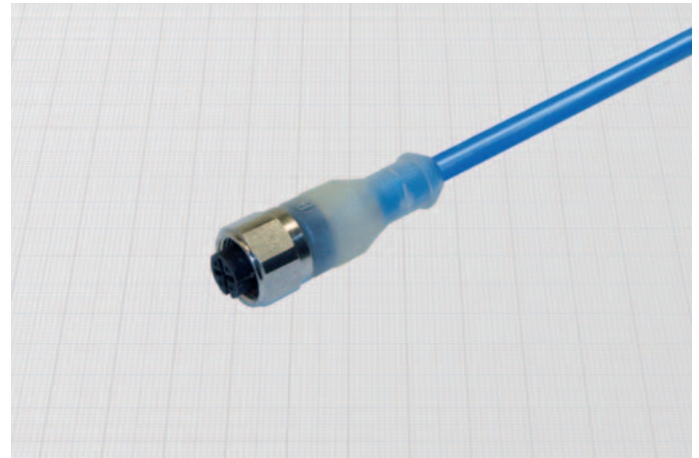
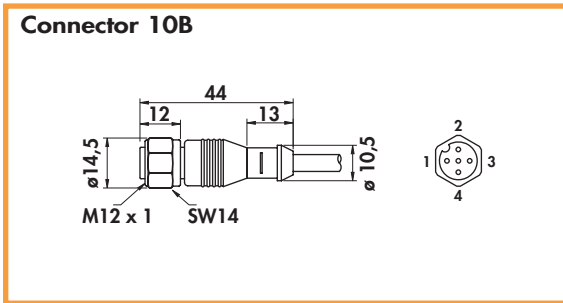
### Technical data:

- Operating voltage: max 50 Vac/75 Vdc
- Maximum current: 4 A
- Contact resistance: ≤ 5 mΩ
- Contacts: CuZn, brass pre-nickel and gold plated (0,8 μm)
- Locking nut: self-locking in CuZn, nickel plated brass
- Temperature range: -40° ÷ +120°C
- Degree of protection: IP68 with plug in fully locked position

Connector n°	ORDERING REFERENCES		
	Cable	3 wires	
		4 wires	
	Section	3 x 0,50 mm <sup>2</sup> - ø ext. 5	4 x 0,35 mm <sup>2</sup> - ø ext. 5
Length m.	1 > brown + 4 > black output 3 > blue -	1 > brown + 4 > black output NO 2 > white output NC 3 > blue -	
10	2	C10/0032T	C10/0042T
10	5	C10/0035T	C10/0045T
10	10	C10/00310T	C10/00410T
8B	2	C8B/0032T	C8B/0042T
8B	5	C8B/0035T	C8B/0045T
8B	10	C8B/00310T	C8B/00410T

For ATEX sensors •  
 Straight in d.c. •  
 Moulded with cable •

According to 94/9/CE - EN60079-0 - EN 60947-5-2 •



**General Features:**

Female connectors of this section can be matched to the BDC ATEX proximity sensors according to the category as indicated on the table below. They must be separately ordered.

The 2 wires model is suitable for NAMUR sensors either on N.O. or N.C. version. It is possible to use it in zone 0 or 20 without additional protections against electrostatic charges.

Particular moulding processes assure the maximum sealing, making these products suitable even for heavy applications.

**Note: use in hazardous area according to the instructions manual supplied together the sensors.**

**Technical data:**

- Operating voltage: max 50 Vac/75 Vdc
- Maximum current: 4 A
- Contact resistance: ≤ 5 mΩ
- Contacts: CuZn, pre-nickel plated brass (0,8 μm)
- Locking nut: self-flocking in CuZn, nickel plated brass
- Temperature range: -25° ÷ +90°C
- Degree of protection: IP68 with plug in fully locked position

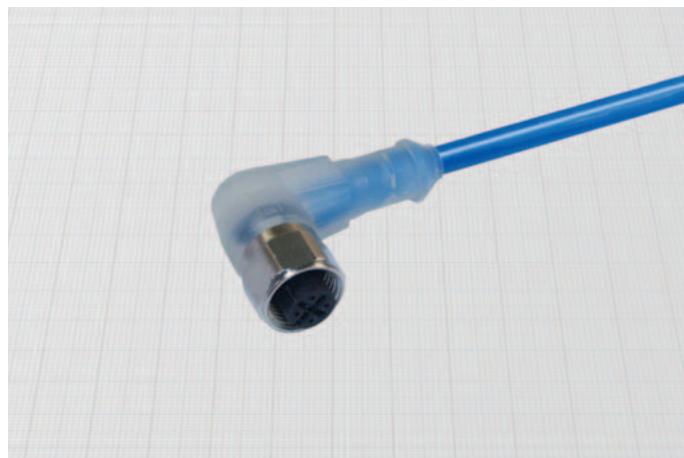
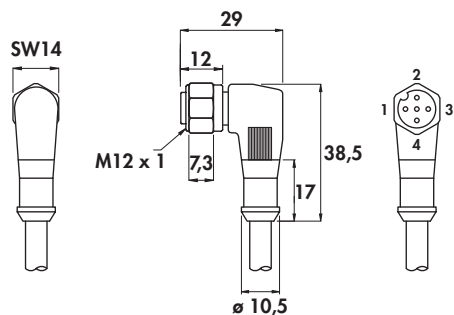
			ORDERING REFERENCES		
Connector n°	Category		1G -1D	3G - 3D	3G - 3D
	Zone		0 -20	2 - 22	2 - 22
	Cap. cable pF/m		140	170	170
	Induct. cable μH/m		0,4	0,8	0,8
	Cable		<b>2 wires (blue)</b>	<b>3 wires (grey)</b>	<b>4 wires (grey)</b>
	Section		2 x 0,75 mm <sup>2</sup> - ø ext. 5	3 x 0,50 mm <sup>2</sup> - ø ext. 5	4 x 0,35 mm <sup>2</sup> - ø ext. 5
	Material	Length m.		1) brown + 2) blue - 4)	1) brown + 4) black output NO 2) white output NC 3) blue -
10B	PVC	2	<b>C10/0022PVA</b>	<b>C10/0032PV3GD</b>	<b>C10/0042PV3GD</b>
10B	PVC	5	<b>C10/0025PVA</b>	<b>C10/0035PV3GD</b>	<b>C10/0045PV3GD</b>
10B	PVC	10	<b>C10/00210PVA</b>	<b>C10/00310PV3GD</b>	<b>C10/00410PV3GD</b>
10B	PUR	2	<b>C10/0022PRA</b>	<b>C10/0032PR3GD</b>	<b>C10/0042PR3GD</b>
10B	PUR	5	<b>C10/0025PRA</b>	<b>C10/0035PR3GD</b>	<b>C10/0045PR3GD</b>
10B	PUR	10	<b>C10/00210PRA</b>	<b>C10/00310PR3GD</b>	<b>C10/00410PR3GD</b>



## FEMALE CONNECTORS M12 x 1

- For ATEX sensors
- Angled in d.c.
- Moulded with cable
- According to 94/9/CE - EN60079-0 - EN60947-5-2

Connector 8B



### General Features:

Female connectors of this section can be matched to the BDC ATEX proximity sensors according to the category as indicated on the table below.

They must be separately ordered. The 2 wires model is suitable for NAMUR sensors either on N.O. or N.C. version. It is possible to use it in zone 1 or 21 without additional protections against electrostatic charges.

Particular moulding processes assure the maximum sealing, making these products suitable even for heavy applications.

**Note: use in hazardous area according to the instructions manual supplied together the sensors.**

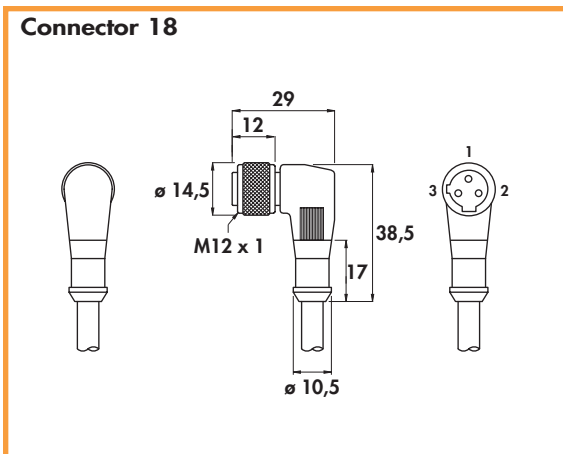
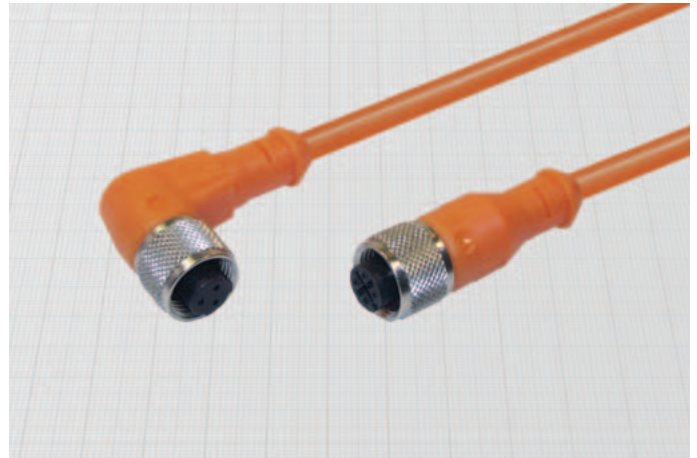
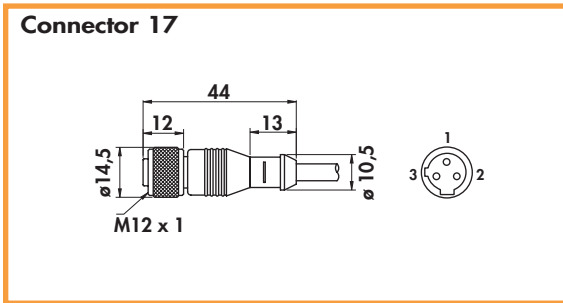
### Technical data:

- Operating voltage: max 50 Vac/75 Vdc
- Maximum current: 4 A
- Contact resistance:  $\leq 5 \text{ m}\Omega$
- Contacts: CuZn, brass pre-nickel and gold plated (0,8  $\mu\text{m}$ )
- Locking nut: self-locking in CuZn, nickel plated brass
- Temperature range:  $-25^\circ \div +90^\circ\text{C}$
- Degree of protection: IP68 with plug in fully locked position

### ORDERING REFERENCES

Connector n°	ORDERING REFERENCES				
	Category	2G - 2D	3G - 3D	3G - 3D	
	Zone	1 - 21	2 - 22	2 - 22	
	Cap. cable pF/m	140	170	170	
	Induct. cable $\mu\text{H}/\text{m}$	0,4	0,8	0,8	
	Cable	<b>2 wires (blue)</b>	<b>3 wires (grey)</b>	<b>4 wires (grey)</b>	
	Section	2 x 0,75 mm <sup>2</sup> - $\varnothing$ ext. 5	3 x 0,50 mm <sup>2</sup> - $\varnothing$ ext. 5	4 x 0,35 mm <sup>2</sup> - $\varnothing$ ext. 5	
Material	Length m.	Wiring Diagrams			
		1) brown + 2) blue - 4)	1) brown + 4) black output 2) white output 3) blue -	1) brown + 4) black output NO 2) white output NC 3) blue -	
8B	PVC	2	<b>C8B/0022PVA</b>	<b>C8B/0032PV3GD</b>	<b>C8B/0042PV3GD</b>
8B	PVC	5	<b>C8B/0025PVA</b>	<b>C8B/0035PV3GD</b>	<b>C8B/0045PV3GD</b>
8B	PVC	10	<b>C8B/00210PVA</b>	<b>C8B/00310PV3GD</b>	<b>C8B/00410PV3GD</b>
8B	PUR	2	<b>C8B/0022PRA</b>	<b>C8B/0032PR3GD</b>	<b>C8B/0042PR3GD</b>
8B	PUR	5	<b>C8B/0025PRA</b>	<b>C8B/0035PR3GD</b>	<b>C8B/0045PR3GD</b>
8B	PUR	10	<b>C8B/00210PRA</b>	<b>C8B/00310PR3GD</b>	<b>C8B/00410PR3GD</b>

- For a.c. sensors •
- Straight and angled with double reference key •
- Moulded with cable •
- According to EN 60947-5-2 •



**General Features:**

Female connectors of this section can be matched to the proximity sensors as indicated on the ordering references tables of the products. They must be separately ordered. These models are suitable for all the a.c. sensors with M12x1 double reference key exit.

Particular moulding processes assure the maximum sealing, making these products suitable even for heavy applications. The self securing locking nut assures the resistance to vibrations.

**Technical data:**

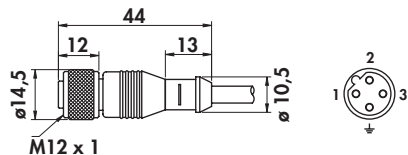
- Operating voltage: max 250 Vac/Vdc
- Maximum current: 4 A
- Contact resistance: ≤ 5 mΩ
- Contacts: CuZn, brass pre-nickel and gold plated (0,8 μm)
- Moulding: orange PUR
- Locking nut: self-locking in CuZn, nickel plated brass
- O-Ring: NBR
- Temperature range: - 25° ÷ + 90°C
- Degree of protection: IP68 with plug in fully locked position

Connector n°	Cable		ORDERING REFERENCES
	Section		
	Material	Length m.	
			3 - blue ~ 2 - brown ~ 1 - yellow/green ⊕
17	PVC	2	C17/0032PV
17	PVC	5	C17/0035PV
17	PVC	10	C17/00310PV
17	PUR	2	C17/0032PR
17	PUR	5	C17/0035PR
17	PUR	10	C17/00310PR
18	PVC	2	C18/0032PV
18	PVC	5	C18/0035PV
18	PVC	10	C18/00310PV
18	PUR	2	C18/0032PR
18	PUR	5	C18/0035PR
18	PUR	10	C18/00310PR

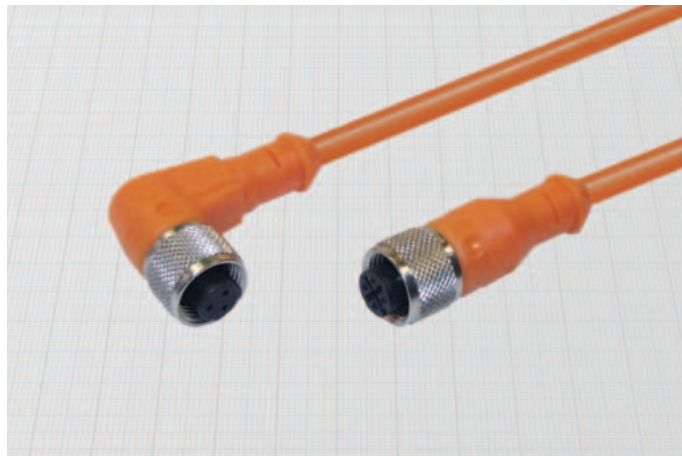
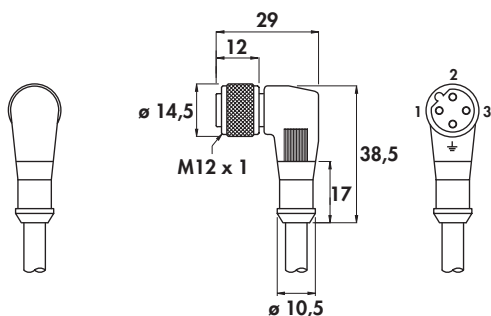
## FEMALE CONNECTORS M12 x 1

- For a.c. sensors
- Straight and angled single key
- Moulded with cable

Connector 15



Connector 16



### General Features:

Female connectors of this section can be matched to the proximity sensors as indicated on the ordering references tables of the products. They must be separately ordered. These models are suitable for all the a.c. sensors with M12x1, 4 pin, single key exit.

Particular moulding processes assure the maximum sealing, making these products suitable even for heavy applications. The self securing locking nut assures the resistance to vibrations.

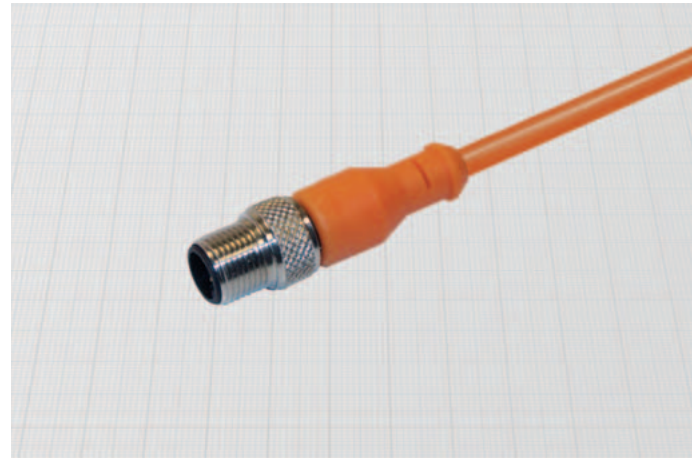
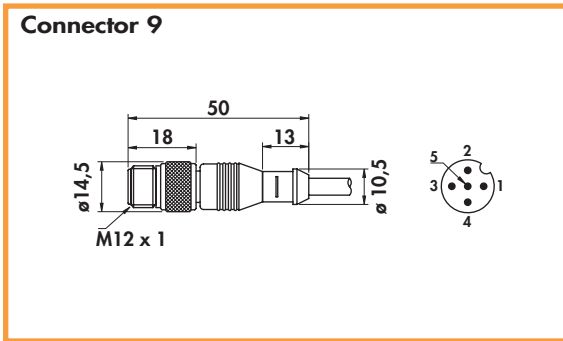
### Technical data:

- Operating voltage: max 250 Vac/Vdc
- Maximum current: 4 A
- Contact resistance:  $\leq 5 \text{ m}\Omega$
- Contacts: CuZn, brass pre-nickeled and gold plated ( $0,8 \mu\text{m}$ )
- Moulding: orange PUR
- Locking nut: self-locking in CuZn, nickel plated brass
- O-Ring: NBR
- Temperature range:  $-25^\circ \div +90^\circ\text{C}$
- Degree of protection: IP68 with plug in fully locked position

Connector n°	Cable		ORDERING REFERENCES
	Section		
	Material	Length m.	
			3 x 0,35 mm <sup>2</sup> - $\varnothing$ ext. 5
			1 > brown ~ 2 > blue ~ 3 > yellow/green ~ 4 > ~
15	PVC	2	C15/0032PV
15	PVC	5	C15/0035PV
15	PVC	10	C15/00310PV
15	PUR	2	C15/0032PR
15	PUR	5	C15/0035PR
15	PUR	10	C15/00310PR
16	PVC	2	C16/0032PV
16	PVC	5	C16/0035PV
16	PVC	10	C16/00310PV
16	PUR	2	C16/0032PR
16	PUR	5	C16/0035PR
16	PUR	10	C16/00310PR



**Straight in d.c.** •  
**Moulded with cable** •  
 According to EN 60947-5-2 •



**General Features:**

Particular moulding processes assure the maximum sealing, making these products suitable even for heavy applications. The self securing locking nut assures the resistance to vibrations. The shielded version offers a complete 360° shielding connected to the external nut. Grey moulding and cable are available upon request.

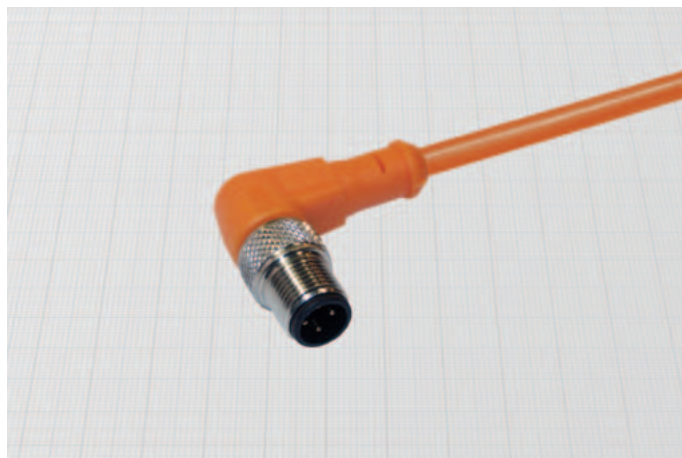
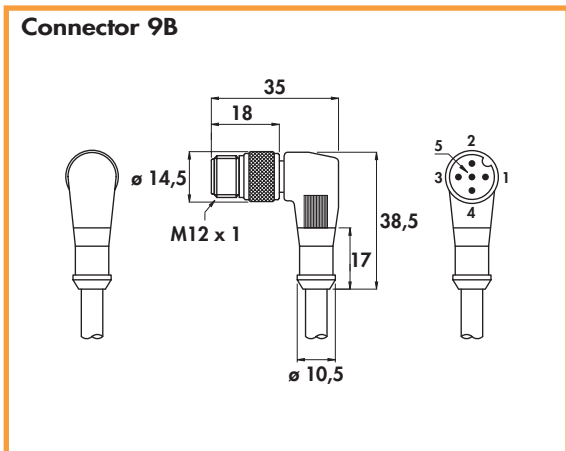
**Technical data:**

- Operating voltage: max 50 Vac/75 Vdc
- Maximum current: 4 A
- Contact resistance:  $\leq 5 \text{ m}\Omega$
- Contacts: CuZn, brass pre-nickeled and gold plated (0,8  $\mu\text{m}$ )
- Moulding: orange PUR
- Locking nut: self-locking in CuZn, nickel plated brass
- Temperature range:  $-25^\circ \div +90^\circ\text{C}$
- Degree of protection: IP68 with plug in fully locked position

Connector n°	Cable	ORDERING REFERENCES						
		3 wires		4 wires		5 wires + shield		
		3 x 0,50 mm <sup>2</sup> - $\varnothing$ ext. 5		4 x 0,35 mm <sup>2</sup> - $\varnothing$ ext. 5		5 x 0,22 mm <sup>2</sup> - $\varnothing$ ext. 5		
Material	Length m.	1) brown + 4) black output NO 2) white output NC 3) blue -		1) brown + 4) black output NO 2) white output NC 5) grey signal 3) blue -				
9	PVC	2	C9/0032PV		C9/0042PV		C9/0052VS	
9	PVC	5	C9/0035PV		C9/0045PV		C9/0055VS	
9	PVC	10	C9/00310PV		C9/00410PV		C9/00510VS	
9	PUR	2	C9/0032PR		C9/0042PR		-	
9	PUR	5	C9/0035PR		C9/0045PR		-	
9	PUR	10	C9/00310PR		C9/00410PR		-	

## MALE CONNECTORS M12 x 1

- Angled in d.c.
- Moulded with cable
- According to EN 60947-5-2



### General Features:

Particular moulding processes assure the maximum sealing, making these products suitable even for heavy applications. The self securing locking nut assures the resistance to vibrations.

The shielded version offers a shielding connected to the external nut. Grey moulding and cable are available upon request.

### Technical data:

- Operating voltage: max 50 Vac / 75 Vdc
- Maximum current: 4 A
- Contact resistance:  $\leq 5 \text{ m}\Omega$
- Contacts: CuZn, brass pre-nickel and gold plated (0,8  $\mu\text{m}$ )
- Moulding: orange PUR
- Locking nut: self-locking in CuZn, nickel plated brass
- Temperature range:  $-25^\circ \div +90^\circ\text{C}$
- Degree of protection: IP68 with plug in fully locked position

Connector n°	Cable		ORDERING REFERENCES		
			3 wires	4 wires	5 wires + shield
	Section		3 x 0,50 mm <sup>2</sup> - $\varnothing$ ext. 5	4 x 0,35 mm <sup>2</sup> - $\varnothing$ ext. 5	5 x 0,22 mm <sup>2</sup> - $\varnothing$ ext. 5
	Material	Length m.	1 > brown + 4 > black output 3 > blue -	1 > brown + 4 > black output NO 2 > white output NC 3 > blue -	1 > brown + 4 > black output NO 2 > white output NC 5 > grey signal 3 > blue -
9B	PVC	2	<b>C9B/0032PV</b>	<b>C9B/0042PV</b>	<b>C9B/0052VS</b>
9B	PVC	5	<b>C9B/0035PV</b>	<b>C9B/0045PV</b>	<b>C9B/0055VS</b>
9B	PVC	10	<b>C9B/00310PV</b>	<b>C9B/00410PV</b>	<b>C9B/00510VS</b>
9B	PUR	2	<b>C9B/0032PR</b>	<b>C9B/0042PR</b>	-
9B	PUR	5	<b>C9B/0035PR</b>	<b>C9B/0045PR</b>	-
9B	PUR	10	<b>C9B/00310PR</b>	<b>C9B/00410PR</b>	-



# CONNECTING CABLES FOR SENSORS







# CONNECTING CABLES

**N° Male connector:**  
**8M** = straight M8 x 1  
**9** = straight M12 x 1  
**9B** = angled M12 x 1

**N° Female connector:**  
**8B** = angled M12 x 1  
**10** = straight M12 x 1  
**11** = straight M8 x 1  
**12** = angled M8 x 1

**C9 / C10 / 00 3 - 0,6 PV**

**00** = without LED  
**2P** = 2 LED PNP  
**2N** = 2 LED NPN

**N° conductors:**  
**3** = 3 wires  
**4** = 4 wires  
**5** = 5 wires

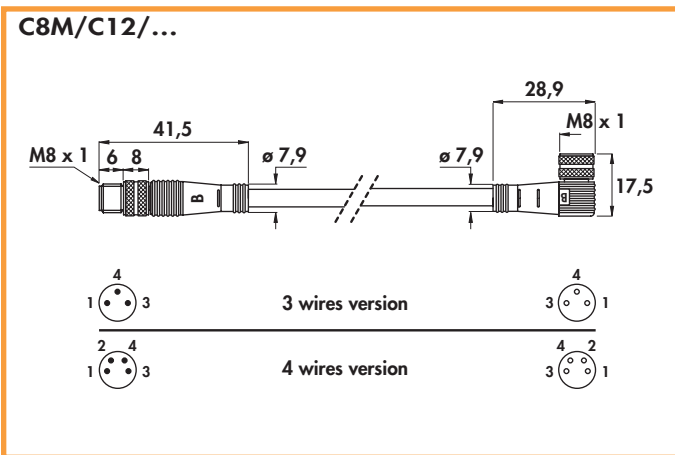
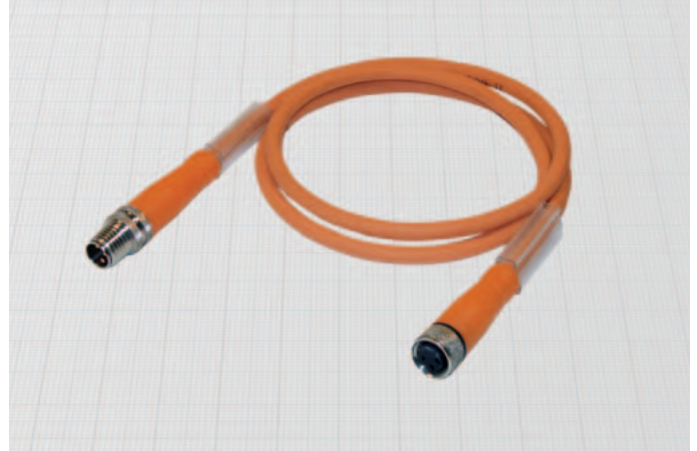
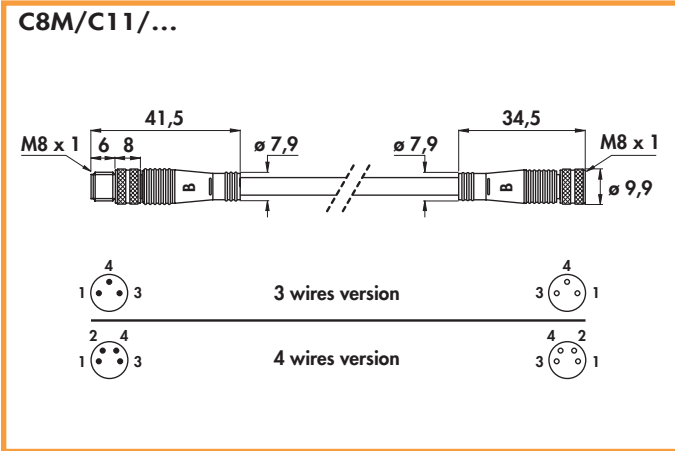
**Cable length**  
**0,6** = 0,6 m  
**1** = 1 m  
**2** = 2 m  
 Other cable lengths upon request

**Cable material:**  
**PV** = PVC (orange)  
**PR** = PUR (orange)  
**VS** = PVC shielded



**MALE M8 x 1 •**  
**FEMALE M8 x 1 •**

According to EN 60947-5-2 •



**Technical data:**

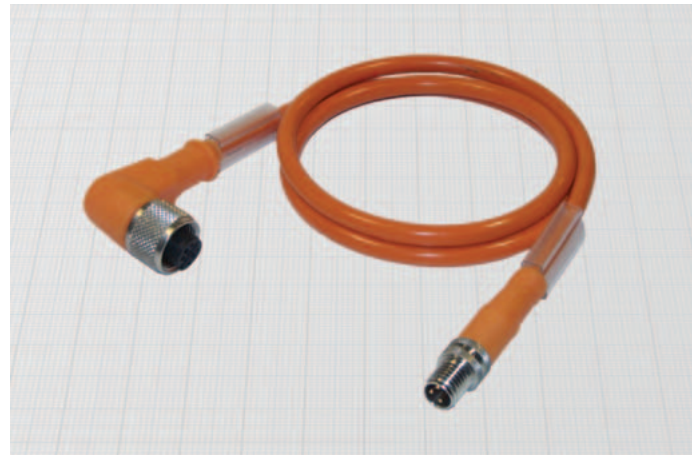
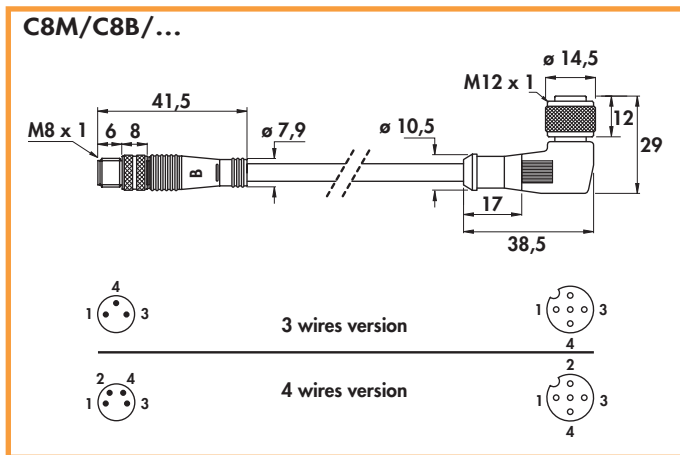
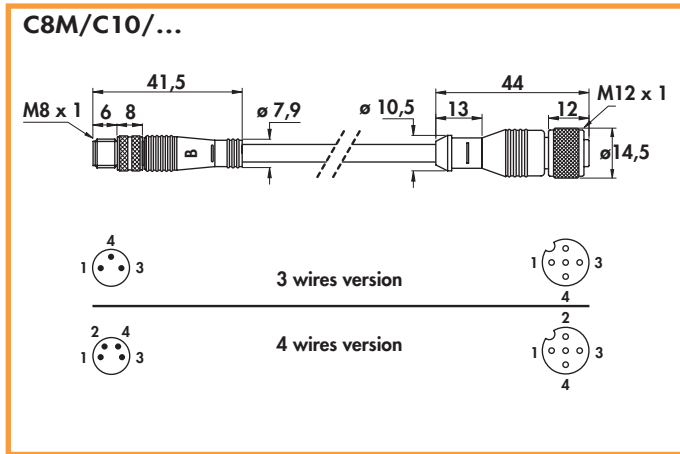
- Operating voltage: 10 ÷ 30 Vdc types with LED  
max 50 Vac/75 Vdc types without LED
- Maximum current: 4 A
- Contact resistance: ≤ 5 mΩ
- Contacts: CuZn, brass pre-nickel and gold plated (0,8 μm)
- Moulding: PUR
- Locking nut: self-locking in CuZn, nickel plated brass
- Temperature range: -25 ÷ +90°C
- Degree of protection: IP68 with plug in fully locked position

Cable		ORDERING REFERENCES			
Material	Length m.	3 wires		4 wires	
		• Straight male • Straight female	• Straight male • Angled female (*)	• Straight male • Straight female	• Straight male • Angled female
PVC	0,6	<b>C8M/C11/003-0,6PV</b>	<b>C8M/C12/003-0,6PV</b>	<b>C8M/C11/004-0,6PV</b>	<b>C8M/C12/004-0,6PV</b>
PVC	1	<b>C8M/C11/003-1PV</b>	<b>C8M/C12/003-1PV</b>	<b>C8M/C11/004-1PV</b>	<b>C8M/C12/004-1PV</b>
PVC	2	<b>C8M/C11/003-2PV</b>	<b>C8M/C12/003-2PV</b>	<b>C8M/C11/004-2PV</b>	<b>C8M/C12/004-2PV</b>
PUR	0,6	<b>C8M/C11/003-0,6PR</b>	<b>C8M/C12/003-0,6PR</b>	<b>C8M/C11/004-0,6PR</b>	<b>C8M/C12/004-0,6PR</b>
PUR	1	<b>C8M/C11/003-1PR</b>	<b>C8M/C12/003-1PR</b>	<b>C8M/C11/004-1PR</b>	<b>C8M/C12/004-1PR</b>
PUR	2	<b>C8M/C11/003-2PR</b>	<b>C8M/C12/003-2PR</b>	<b>C8M/C11/004-2PR</b>	<b>C8M/C12/004-2PR</b>

(\*) Note: for LED PNP option on female part substitute the part of the code .../00... with .../2P... i.e. **C8M/C12/2P3-0,6PV**  
 for LED NPN option on female part substitute the part of the code .../00... with .../2N... i.e. **C8M/C12/2N3-0,6PV**

## CONNECTING CABLES FOR SENSORS

- **MALE M8 x 1**
- **FEMALE M12 x 1**
- According to EN 60947-5-2



### Technical data:

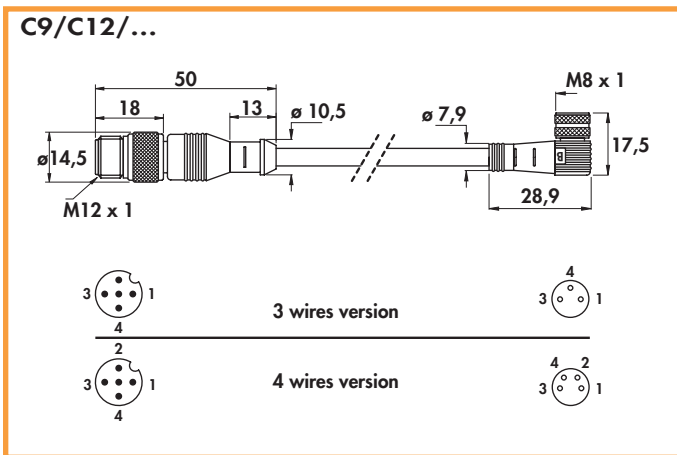
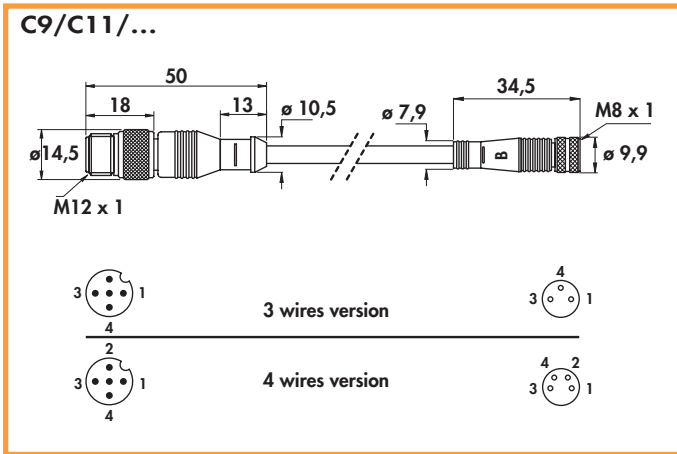
- Operating voltage: 10 ÷ 30 Vdc straight types with LED  
5 ÷ 60 Vdc angled types with LED  
max 50 Vac/75 Vdc types without LED
- Maximum current: 4 A
- Contact resistance: ≤ 5 mΩ
- Contacts: CuZn, brass pre-nickel and gold plated (0,8 μm)
- Moulding: PUR
- Locking nut: selflocking in CuZn, nickel plated brass
- Temperature range: -25 ÷ +90°C
- Degree of protection: IP67 with plug in fully locked position

Cable		ORDERING REFERENCES			
Material	Length m.	3 wires		4 wires	
		• Straight male • Straight female (*)	• Straight male • Angled female (*)	• Straight male • Straight female (*)	• Straight male • Angled female (*)
PVC	0,6	<b>C8M/C10/003-0,6PV</b>	<b>C8M/C8B/003-0,6PV</b>	<b>C8M/C10/004-0,6PV</b>	<b>C8M/C8B/004-0,6PV</b>
PVC	1	<b>C8M/C10/003-1PV</b>	<b>C8M/C8B/003-1PV</b>	<b>C8M/C10/004-1PV</b>	<b>C8M/C8B/004-1PV</b>
PVC	2	<b>C8M/C10/003-2PV</b>	<b>C8M/C8B/003-2PV</b>	<b>C8M/C10/004-2PV</b>	<b>C8M/C8B/004-2PV</b>
PUR	0,6	<b>C8M/C10/003-0,6PR</b>	<b>C8M/C8B/003-0,6PR</b>	<b>C8M/C10/004-0,6PR</b>	<b>C8M/C8B/004-0,6PR</b>
PUR	1	<b>C8M/C10/003-1PR</b>	<b>C8M/C8B/003-1PR</b>	<b>C8M/C10/004-1PR</b>	<b>C8M/C8B/004-1PR</b>
PUR	2	<b>C8M/C10/003-2PR</b>	<b>C8M/C8B/003-2PR</b>	<b>C8M/C10/004-2PR</b>	<b>C8M/C8B/004-2PR</b>

(\*) Note: for LED PNP option on female part substitute the part of the code **.../00...** with **.../2P...** i.e. **C8M/C10/2P3-0,6PV**  
for LED NPN option on female part substitute the part of the code **.../00...** with **.../2N...** i.e. **C8M/C10/2N3-0,6PV**



**MALE M12 x 1 straight** •  
**FEMALE M8 x 1** •  
 According to EN 60947-5-2 •



**Technical data:**

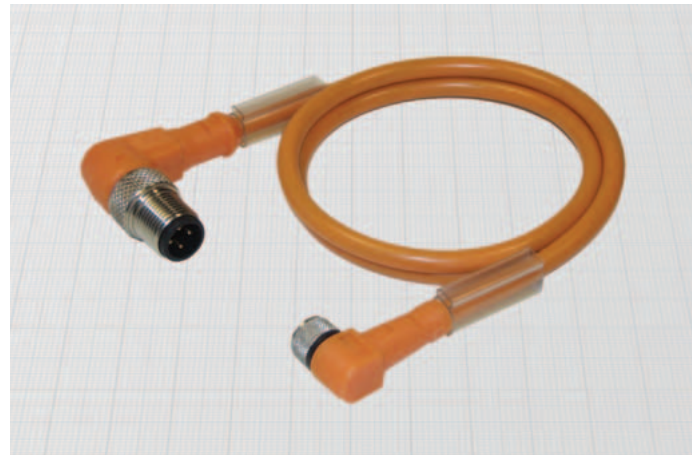
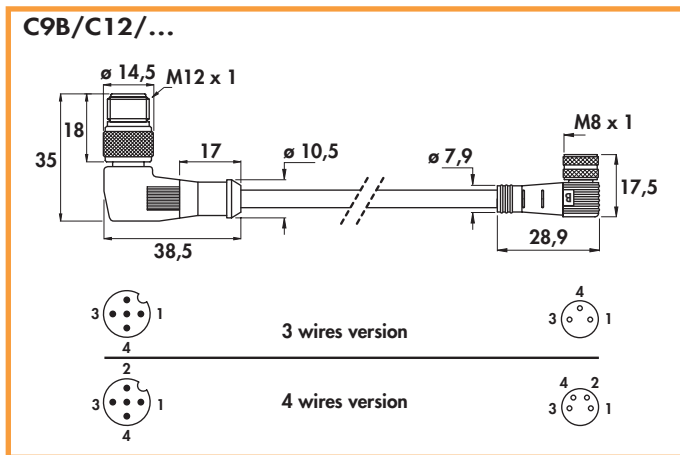
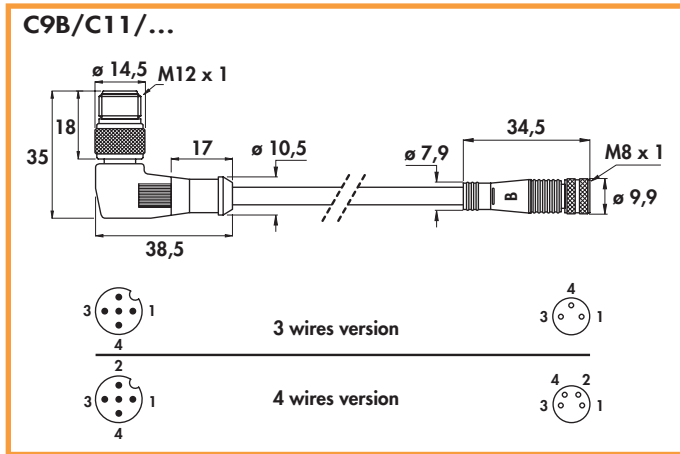
- Operating voltage: 10 ÷ 30 Vdc types with LED  
max 50 Vac/75 Vdc types without LED
- Maximum current: 4 A
- Contact resistance: ≤ 5 mΩ
- Contacts: CuZn, brass pre-nickel and gold plated (0,8 μm)
- Moulding: PUR
- Locking nut: self-locking in CuZn, nickel plated brass
- Temperature range: -25 ÷ +90°C
- Degree of protection: IP68 with plug in fully locked position

Cable		ORDERING REFERENCES			
Material	Length m.	3 wires		4 wires	
		• Straight male • Straight female	• Straight male • Angled female (*)	• Straight male • Straight female	• Straight male • Angled female
PVC	0,6	C9/C11/003-0,6PV	C9/C12/003-0,6PV	C9/C11/004-0,6PV	C9/C12/004-0,6PV
PVC	1	C9/C11/003-1PV	C9/C12/003-1PV	C9/C11/004-1PV	C9/C12/004-1PV
PVC	2	C9/C11/003-2PV	C9/C12/003-2PV	C9/C11/004-2PV	C9/C12/004-2PV
PUR	0,6	C9/C11/003-0,6PR	C9/C12/003-0,6PR	C9/C11/004-0,6PR	C9/C12/004-0,6PR
PUR	1	C9/C11/003-1PR	C9/C12/003-1PR	C9/C11/004-1PR	C9/C12/004-1PR
PUR	2	C9/C11/003-2PR	C9/C12/003-2PR	C9/C11/004-2PR	C9/C12/004-2PR

(\*) Note: for LED PNP option on female part substitute the part of the code .../00... with .../2P... i.e. **C9/C12/2P3-0,6PV**  
 for LED NPN option on female part substitute the part of the code .../00... with .../2N... i.e. **C9/C12/2N3-0,6PV**

## CONNECTING CABLES FOR SENSORS

- **MALE M12 x 1 angled**
- **FEMALE M8 x 1**
- According to EN 60947-5-2



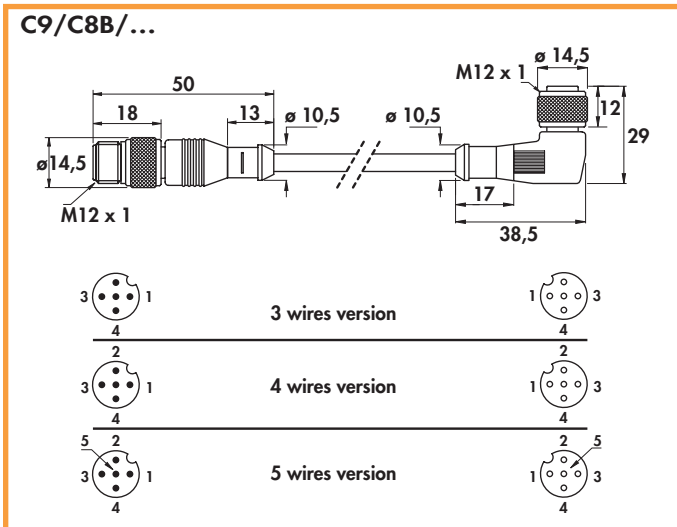
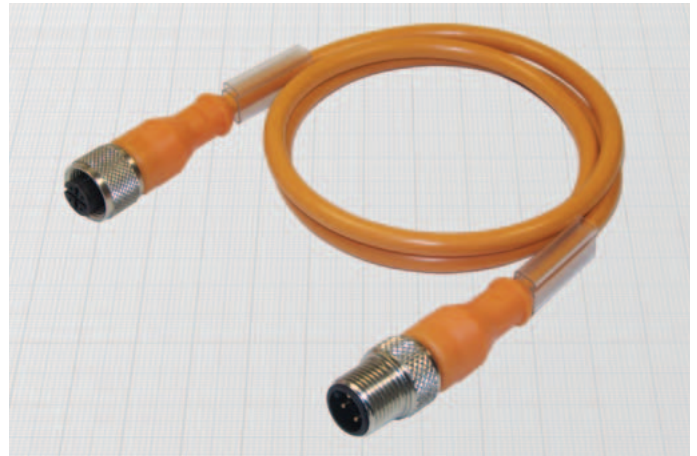
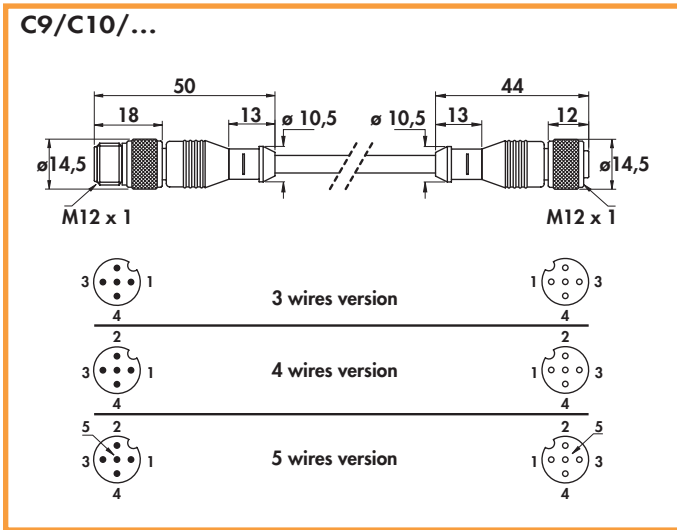
### Technical data:

- Operating voltage: 10 ÷ 30 Vdc types with LED  
max 50 Vac/75 Vdc types without LED
- Maximum current: 4 A
- Contact resistance:  $\leq 5 \text{ m}\Omega$
- Contacts: CuZn, brass pre-nickel and gold plated (0,8  $\mu\text{m}$ )
- Moulding: PUR
- Locking nut: selflocking in CuZn, nickel plated brass
- Temperature range: -25 ÷ +90°C
- Degree of protection: IP68 with plug in fully locked position

Cable		ORDERING REFERENCES			
Material	Length m.	3 wires		4 wires	
		• Angled male • Straight female	• Angled male • Angled female (*)	• Angled male • Straight female	• Angled male • Angled female
PVC	0,6	C9B/C11/003-0,6PV	C9B/C12/003-0,6PV	C9B/C11/004-0,6PV	C9B/C12/004-0,6PV
PVC	1	C9B/C11/003-1PV	C9B/C12/003-1PV	C9B/C11/004-1PV	C9B/C12/004-1PV
PVC	2	C9B/C11/003-2PV	C9B/C12/003-2PV	C9B/C11/004-2PV	C9B/C12/004-2PV
PUR	0,6	C9B/C11/003-0,6PR	C9B/C12/003-0,6PR	C9B/C11/004-0,6PR	C9B/C12/004-0,6PR
PUR	1	C9B/C11/003-1PR	C9B/C12/003-1PR	C9B/C11/004-1PR	C9B/C12/004-1PR
PUR	2	C9B/C11/003-2PR	C9B/C12/003-2PR	C9B/C11/004-2PR	C9B/C12/004-2PR

(\*) Note: for LED PNP option on female part substitute the part of the code .../00... with .../2P... i.e. **C9B/C12/2P3-0,6PV**  
for LED NPN option on female part substitute the part of the code .../00... with .../2N... i.e. **C9B/C12/2N3-0,6PV**

**MALE M12 x 1 straight •**  
**FEMALE M12 x 1 •**  
 According to EN 60947-5-2 •



**Technical data:**

- Operating voltage: 10 ÷ 30 Vdc straight types with LED  
5 ÷ 60 Vdc angled types with LED  
max 50 Vac/75 Vdc types without LED
- Maximum current: 4 A
- Contact resistance: ≤ 5 mΩ
- Contacts: CuZn, brass pre-nickel and gold plated (0,8 μm)
- Moulding: PUR
- Locking nut: self-locking in CuZn, nickel plated brass
- Temperature range: - 25 ÷ + 90°C
- Degree of protection: IP68 with plug in fully locked position

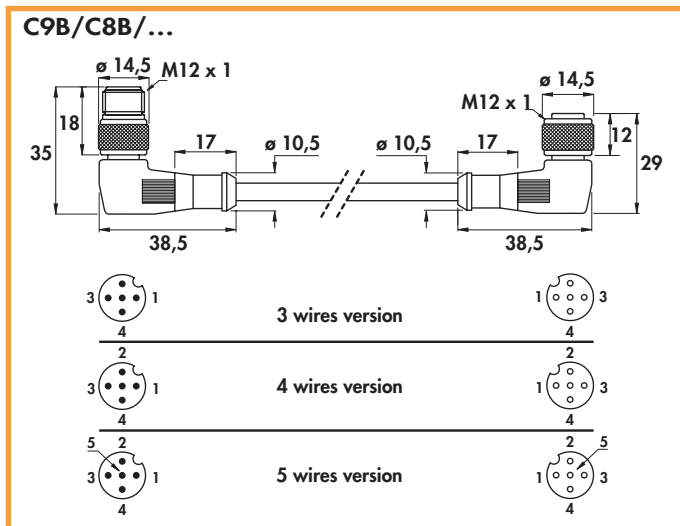
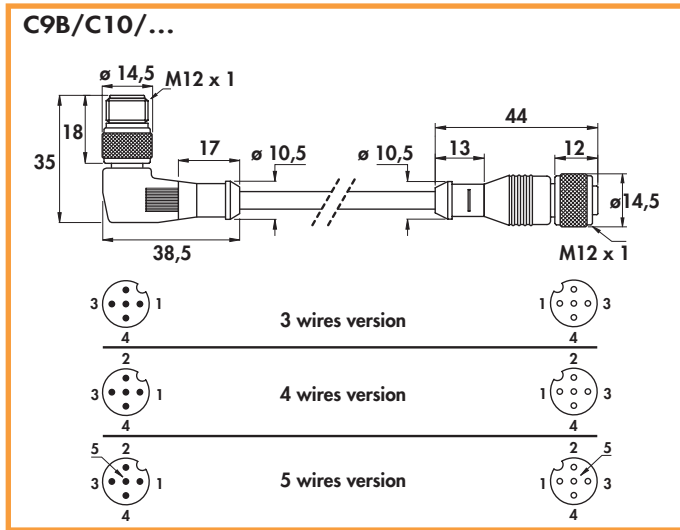
Cable		ORDERING REFERENCES			
Material	Length m.	3 wires		4 wires	
		• Straight male • Straight female (*)	• Straight male • Angled female (*)	• Straight male • Straight female (*)	• Straight male • Angled female (*)
PVC	0,6	<b>C9/C10/003-0,6PV</b>	<b>C9/C8B/003-0,6PV</b>	<b>C9/C10/004-0,6PV</b>	<b>C9/C8B/004-0,6PV</b>
PVC	1	<b>C9/C10/003-1PV</b>	<b>C9/C8B/003-1PV</b>	<b>C9/C10/004-1PV</b>	<b>C9/C8B/004-1PV</b>
PVC	2	<b>C9/C10/003-2PV</b>	<b>C9/C8B/003-2PV</b>	<b>C9/C10/004-2PV</b>	<b>C9/C8B/004-2PV</b>
PUR	0,6	<b>C9/C10/003-0,6PR</b>	<b>C9/C8B/003-0,6PR</b>	<b>C9/C10/004-0,6PR</b>	<b>C9/C8B/004-0,6PR</b>
PUR	1	<b>C9/C10/003-1PR</b>	<b>C9/C8B/003-1PR</b>	<b>C9/C10/004-1PR</b>	<b>C9/C8B/004-1PR</b>
PUR	2	<b>C9/C10/003-2PR</b>	<b>C9/C8B/003-2PR</b>	<b>C9/C10/004-2PR</b>	<b>C9/C8B/004-2PR</b>

Note: For 5 wires version substitute the number before the cable length with 5. i.e. **C9/C10/005-0,6PV**  
 (\*) for LED PNP option on female part substitute the part of the code **.../00...** with **.../2P...** i.e. **C9/C10/2P3-0,6PV**  
 for LED NPN option on female part substitute the part of the code **.../00...** with **.../2N...** i.e. **C9/C10/2N3-0,6PV**



## CONNECTING CABLES FOR SENSORS

- **MALE M12 x 1 angled**
- **FEMALE M12 x 1**
- According to EN 60947-5-2



### Technical data:

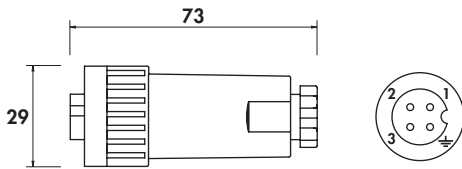
- Operating voltage: 10 ÷ 30 Vdc straight types with LED  
5 ÷ 60 Vdc types angled with LED  
max 50 Vac/75 Vdc types without LED
- Maximum current: 4 A
- Contact resistance: ≤ 5 mΩ
- Contacts: CuZn, brass pre-nickel and gold plated (0,8 μm)
- Moulding: PUR
- Locking nut: self-locking in CuZn, nickel plated brass
- Temperature range: -25 ÷ +90°C
- Degree of protection: IP68 with plug in fully locked position

Cable		ORDERING REFERENCES			
Material	Length m.	3 wires		4 wires	
		• Angled male • Straight female (*)	• Angled male • Angled female (*)	• Angled male • Straight female (*)	• Angled male • Angled female (*)
PVC	0,6	C9B/C10/003-0,6PV	C9B/C8B/003-0,6PV	C9B/C10/004-0,6PV	C9B/C8B/004-0,6PV
PVC	1	C9B/C10/003-1PV	C9B/C8B/003-1PV	C9B/C10/004-1PV	C9B/C8B/004-1PV
PVC	2	C9B/C10/003-2PV	C9B/C8B/003-2PV	C9B/C10/004-2PV	C9B/C8B/004-2PV
PUR	0,6	C9B/C10/003-0,6PR	C9B/C8B/003-0,6PR	C9B/C10/004-0,6PR	C9B/C8B/004-0,6PR
PUR	1	C9B/C10/003-1PR	C9B/C8B/003-1PR	C9B/C10/004-1PR	C9B/C8B/004-1PR
PUR	2	C9B/C10/003-2PR	C9B/C8B/003-2PR	C9B/C10/004-2PR	C9B/C8B/004-2PR

Note: For 5 wires version substitute the number before the cable length with 5. i.e. **C9B/C10/005-0,6PV**  
 (\*) for LED PNP option on female part substitute the part of the code .../00... with .../2P... i.e. **C9B/C10/2P3-0,6PV**  
 for LED NPN option on female part substitute the part of the code .../00... with .../2N... i.e. **C9B/C10/2N3-0,6PV**

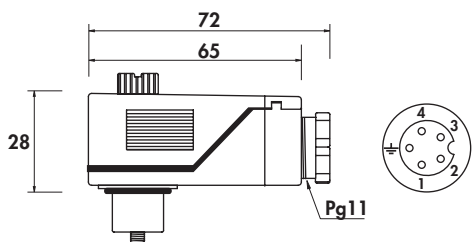


Connector 1



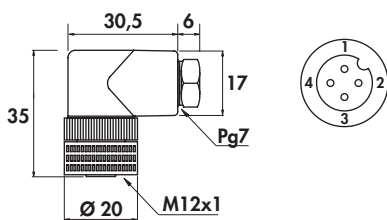
Straight •  
for housings M-1/M-2/M-4/M-5 •

Connector 2



Angled •  
for housings M/M-3/M-6 •

Connector 6



Angled M12x1 •  
according to EN60947-5-2 •

**General features:**

Female connectors of this section can be matched to the proximity sensors as indicated on the ordering references tables of the products. They must be separately ordered. These models are without cable. They all have screw clamps for an easy assembling on the field.

CONNECTOR N°	MODEL	TYPE	DEGREE OF PROTECTION	ORDERING REFERENCES
1	Amphenol	T3109-000	IP 65	C1/00
2	Amphenol	C 164	IP 65	C2/00
6	Hirschmann	ELWIK4 4012	IP 65	C6/00