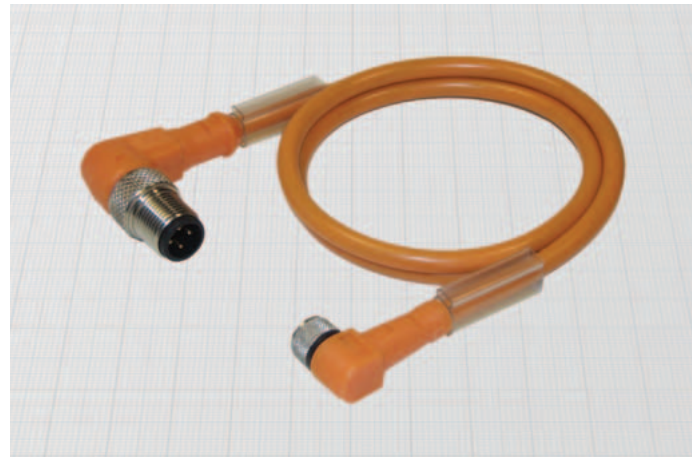
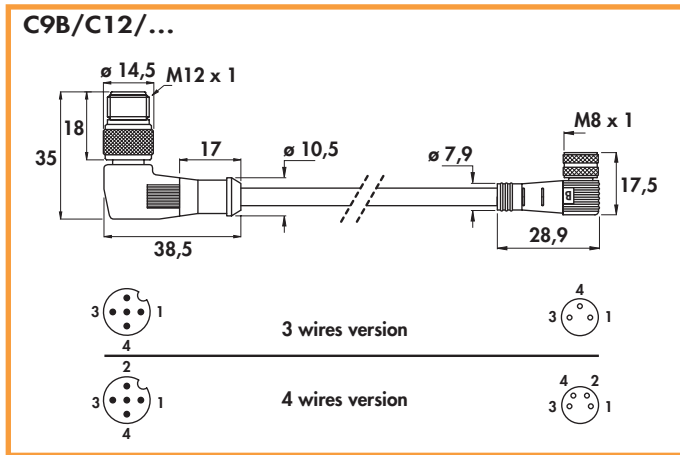
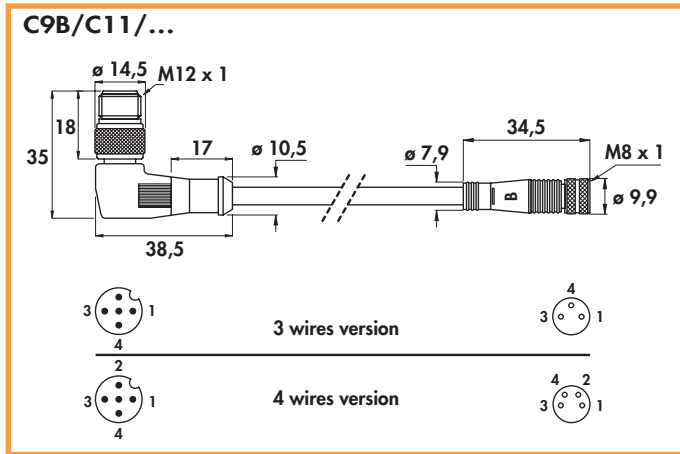


CONNECTING CABLES FOR SENSORS

- **MALE M12 x 1 angled**
- **FEMALE M8 x 1**
- According to EN 60947-5-2



Technical data:

- Operating voltage: 10 ÷ 30 Vdc types with LED
max 50 Vac/75 Vdc types without LED
- Maximum current: 4 A
- Contact resistance: ≤ 5 mΩ
- Contacts: CuZn, brass pre-nickel and gold plated (0,8 μm)
- Moulding: PUR
- Locking nut: selflocking in CuZn, nickel plated brass
- Temperature range: -25 ÷ +90°C
- Degree of protection: IP68 with plug in fully locked position

| Cable | | ORDERING REFERENCES | | | |
|----------|-----------|------------------------------------|--------------------------------------|------------------------------------|----------------------------------|
| Material | Length m. | 3 wires | | 4 wires | |
| | | • Angled male • Straight female | • Angled male • Angled female (*) | • Angled male • Straight female | • Angled male • Angled female |
| PVC | 0,6 | C9B/C11/003-0,6PV | C9B/C12/003-0,6PV | C9B/C11/004-0,6PV | C9B/C12/004-0,6PV |
| PVC | 1 | C9B/C11/003-1PV | C9B/C12/003-1PV | C9B/C11/004-1PV | C9B/C12/004-1PV |
| PVC | 2 | C9B/C11/003-2PV | C9B/C12/003-2PV | C9B/C11/004-2PV | C9B/C12/004-2PV |
| PUR | 0,6 | C9B/C11/003-0,6PR | C9B/C12/003-0,6PR | C9B/C11/004-0,6PR | C9B/C12/004-0,6PR |
| PUR | 1 | C9B/C11/003-1PR | C9B/C12/003-1PR | C9B/C11/004-1PR | C9B/C12/004-1PR |
| PUR | 2 | C9B/C11/003-2PR | C9B/C12/003-2PR | C9B/C11/004-2PR | C9B/C12/004-2PR |

(*) Note: for LED PNP option on female part substitute the part of the code .../00... with .../2P... i.e. **C9B/C12/2P3-0,6PV**
for LED NPN option on female part substitute the part of the code .../00... with .../2N... i.e. **C9B/C12/2N3-0,6PV**