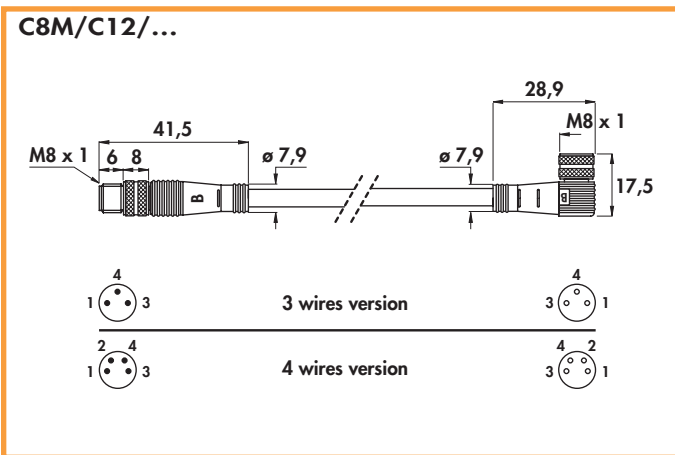
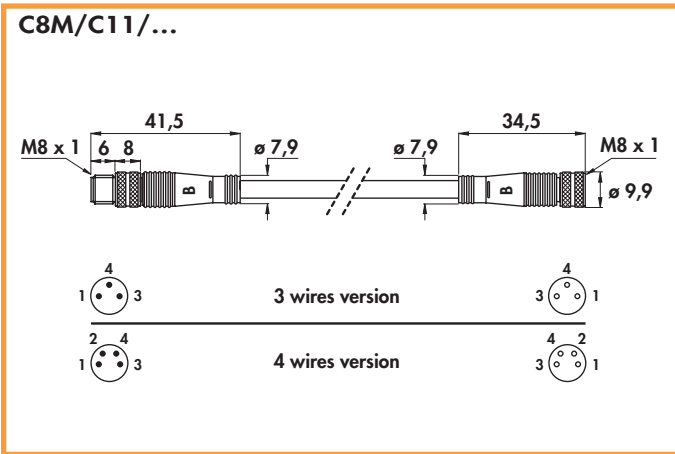


MALE M8 x 1 •
FEMALE M8 x 1 •

According to EN 60947-5-2 •



Technical data:

- Operating voltage: 10 ÷ 30 Vdc types with LED
max 50 Vac/75 Vdc types without LED
- Maximum current: 4 A
- Contact resistance: ≤ 5 mΩ
- Contacts: CuZn, brass pre-nickel and gold plated (0,8 μm)
- Moulding: PUR
- Locking nut: self-locking in CuZn, nickel plated brass
- Temperature range: -25 ÷ +90°C
- Degree of protection: IP68 with plug in fully locked position

Cable		ORDERING REFERENCES			
Material	Length m.	3 wires		4 wires	
		• Straight male • Straight female	• Straight male • Angled female (*)	• Straight male • Straight female	• Straight male • Angled female
PVC	0,6	C8M/C11/003-0,6PV	C8M/C12/003-0,6PV	C8M/C11/004-0,6PV	C8M/C12/004-0,6PV
PVC	1	C8M/C11/003-1PV	C8M/C12/003-1PV	C8M/C11/004-1PV	C8M/C12/004-1PV
PVC	2	C8M/C11/003-2PV	C8M/C12/003-2PV	C8M/C11/004-2PV	C8M/C12/004-2PV
PUR	0,6	C8M/C11/003-0,6PR	C8M/C12/003-0,6PR	C8M/C11/004-0,6PR	C8M/C12/004-0,6PR
PUR	1	C8M/C11/003-1PR	C8M/C12/003-1PR	C8M/C11/004-1PR	C8M/C12/004-1PR
PUR	2	C8M/C11/003-2PR	C8M/C12/003-2PR	C8M/C11/004-2PR	C8M/C12/004-2PR

(*) Note: for LED PNP option on female part substitute the part of the code .../00... with .../2P... i.e. **C8M/C12/2P3-0,6PV**
 for LED NPN option on female part substitute the part of the code .../00... with .../2N... i.e. **C8M/C12/2N3-0,6PV**