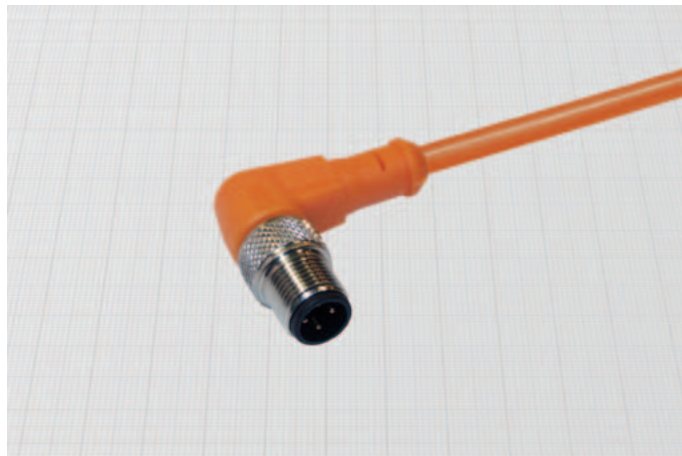
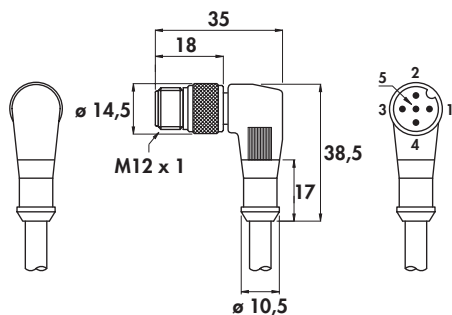


## MALE CONNECTORS M12 x 1

- Angled in d.c.
- Moulded with cable
- According to EN 60947-5-2

Connector 9B



### General Features:

Particular moulding processes assure the maximum sealing, making these products suitable even for heavy applications. The self securing locking nut assures the resistance to vibrations.

The shielded version offers a shielding connected to the external nut. Grey moulding and cable are available upon request.

### Technical data:

- Operating voltage: max 50 Vac / 75 Vdc
- Maximum current: 4 A
- Contact resistance:  $\leq 5 \text{ m}\Omega$
- Contacts: CuZn, brass pre-nickel and gold plated (0,8  $\mu\text{m}$ )
- Moulding: orange PUR
- Locking nut: self-locking in CuZn, nickel plated brass
- Temperature range:  $-25^\circ \div +90^\circ\text{C}$
- Degree of protection: IP68 with plug in fully locked position

Connector n°	Cable		ORDERING REFERENCES		
			3 wires	4 wires	5 wires + shield
	Section		3 x 0,50 mm <sup>2</sup> - $\varnothing$ ext. 5	4 x 0,35 mm <sup>2</sup> - $\varnothing$ ext. 5	5 x 0,22 mm <sup>2</sup> - $\varnothing$ ext. 5
	Material	Length m.	1 > brown + 4 > black output 3 > blue -	1 > brown + 4 > black output NO 2 > white output NC 3 > blue -	1 > brown + 4 > black output NO 2 > white output NC 5 > grey signal 3 > blue -
9B	PVC	2	C9B/0032PV	C9B/0042PV	C9B/0052VS
9B	PVC	5	C9B/0035PV	C9B/0045PV	C9B/0055VS
9B	PVC	10	C9B/00310PV	C9B/00410PV	C9B/00510VS
9B	PUR	2	C9B/0032PR	C9B/0042PR	-
9B	PUR	5	C9B/0035PR	C9B/0045PR	-
9B	PUR	10	C9B/00310PR	C9B/00410PR	-