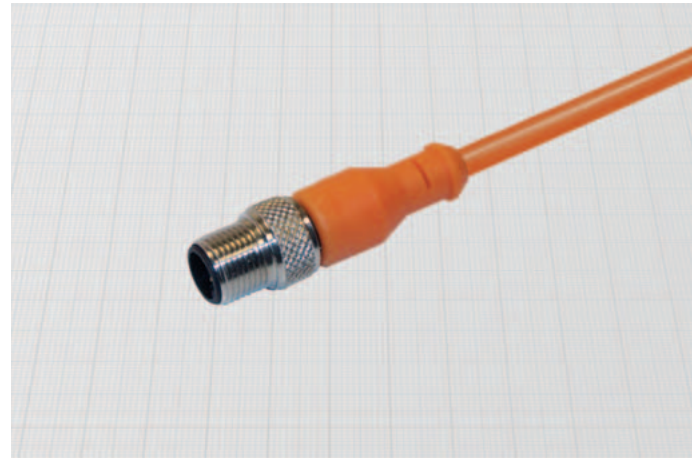
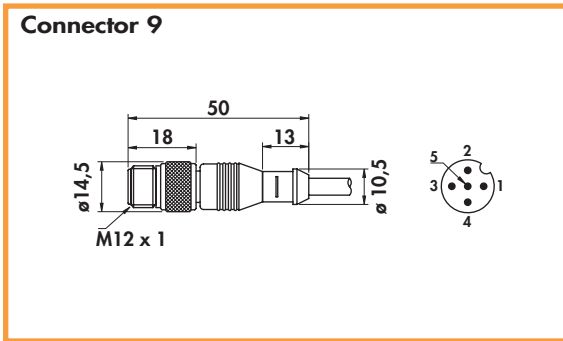


Straight in d.c. •
Moulded with cable •
 According to EN 60947-5-2 •



General Features:

Particular moulding processes assure the maximum sealing, making these products suitable even for heavy applications. The self securing locking nut assures the resistance to vibrations. The shielded version offers a complete 360° shielding connected to the external nut. Grey moulding and cable are available upon request.

Technical data:

- Operating voltage: max 50 Vac/75 Vdc
- Maximum current: 4 A
- Contact resistance: $\leq 5 \text{ m}\Omega$
- Contacts: CuZn, brass pre-nickeled and gold plated (0,8 μm)
- Moulding: orange PUR
- Locking nut: self-locking in CuZn, nickel plated brass
- Temperature range: $-25^\circ \div +90^\circ\text{C}$
- Degree of protection: IP68 with plug in fully locked position

Connector n°	Cable	ORDERING REFERENCES						
		3 wires		4 wires		5 wires + shield		
		3 x 0,50 mm ² - \varnothing ext. 5		4 x 0,35 mm ² - \varnothing ext. 5		5 x 0,22 mm ² - \varnothing ext. 5		
Material	Length m.	1) brown + 4) black output NO 2) white output NC 3) blue -		1) brown + 4) black output NO 2) white output NC 5) grey signal 3) blue -				
9	PVC	2	C9/0032PV		C9/0042PV		C9/0052VS	
9	PVC	5	C9/0035PV		C9/0045PV		C9/0055VS	
9	PVC	10	C9/00310PV		C9/00410PV		C9/00510VS	
9	PUR	2	C9/0032PR		C9/0042PR		-	
9	PUR	5	C9/0035PR		C9/0045PR		-	
9	PUR	10	C9/00310PR		C9/00410PR		-	