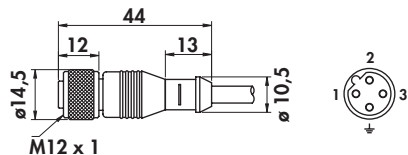


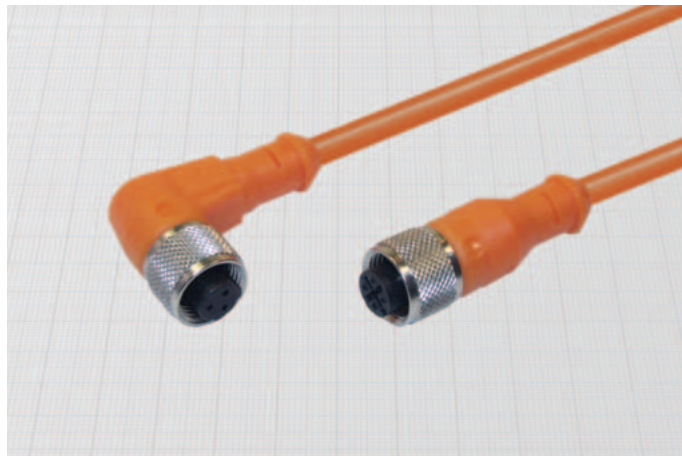
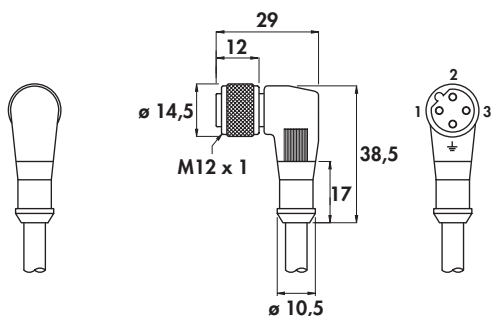
## FEMALE CONNECTORS M12 x 1

- For a.c. sensors
- Straight and angled single key
- Moulded with cable

Connector 15



Connector 16



### General Features:

Female connectors of this section can be matched to the proximity sensors as indicated on the ordering references tables of the products. They must be separately ordered. These models are suitable for all the a.c. sensors with M12x1, 4 pin, single key exit.

Particular moulding processes assure the maximum sealing, making these products suitable even for heavy applications. The self securing locking nut assures the resistance to vibrations.

### Technical data:

- Operating voltage: max 250 Vac/Vdc
- Maximum current: 4 A
- Contact resistance:  $\leq 5 \text{ m}\Omega$
- Contacts: CuZn, brass pre-nickeled and gold plated (0,8  $\mu\text{m}$ )
- Moulding: orange PUR
- Locking nut: self-locking in CuZn, nickel plated brass
- O-Ring: NBR
- Temperature range:  $-25^\circ \div +90^\circ\text{C}$
- Degree of protection: IP68 with plug in fully locked position

Connector n°	Cable		ORDERING REFERENCES
	Section		
	Material	Length m.	
			3 x 0,35 mm <sup>2</sup> - $\varnothing$ ext. 5
			1 > brown ~ 2 > blue ~ 3 > yellow/green ~
15	PVC	2	C15/0032PV
15	PVC	5	C15/0035PV
15	PVC	10	C15/00310PV
15	PUR	2	C15/0032PR
15	PUR	5	C15/0035PR
15	PUR	10	C15/00310PR
16	PVC	2	C16/0032PV
16	PVC	5	C16/0035PV
16	PVC	10	C16/00310PV
16	PUR	2	C16/0032PR
16	PUR	5	C16/0035PR
16	PUR	10	C16/00310PR