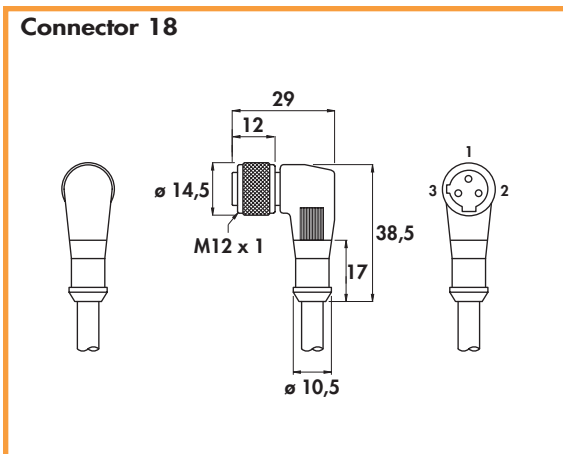
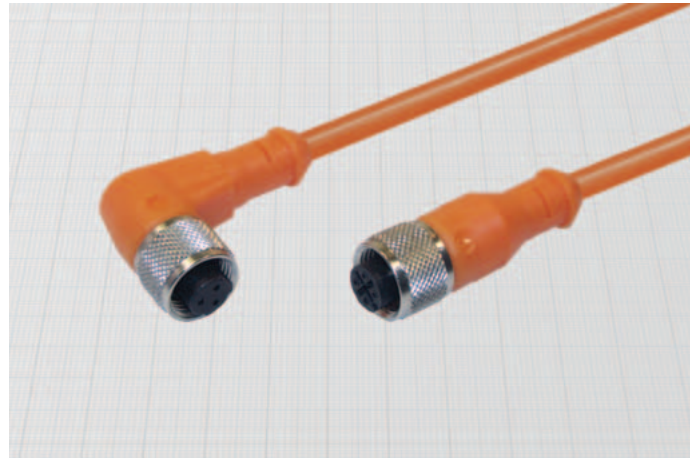
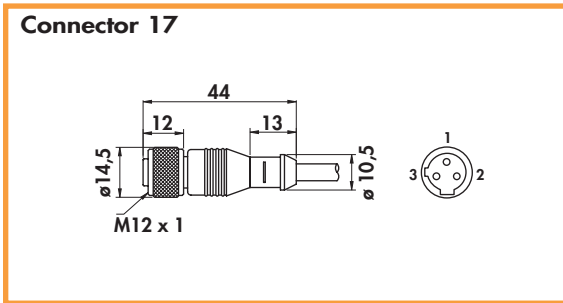


- For a.c. sensors
- Straight and angled with double reference key
- Moulded with cable
- According to EN 60947-5-2



General Features:

Female connectors of this section can be matched to the proximity sensors as indicated on the ordering references tables of the products. They must be separately ordered. These models are suitable for all the a.c. sensors with M12x1 double reference key exit.

Particular moulding processes assure the maximum sealing, making these products suitable even for heavy applications. The self securing locking nut assures the resistance to vibrations.

Technical data:

- Operating voltage: max 250 Vac/Vdc
- Maximum current: 4 A
- Contact resistance: $\leq 5 \text{ m}\Omega$
- Contacts: CuZn, brass pre-nickeled and gold plated ($0,8 \mu\text{m}$)
- Moulding: orange PUR
- Locking nut: self-locking in CuZn, nickel plated brass
- O-Ring: NBR
- Temperature range: $-25^\circ \div +90^\circ\text{C}$
- Degree of protection: IP68 with plug in fully locked position

Connector n°	Cable		ORDERING REFERENCES
	Section		
	Material	Length m.	
			3) blue ~ 2) brown ~ 1) yellow/green ⊕
17	PVC	2	C17/0032PV
17	PVC	5	C17/0035PV
17	PVC	10	C17/00310PV
17	PUR	2	C17/0032PR
17	PUR	5	C17/0035PR
17	PUR	10	C17/00310PR
18	PVC	2	C18/0032PV
18	PVC	5	C18/0035PV
18	PVC	10	C18/00310PV
18	PUR	2	C18/0032PR
18	PUR	5	C18/0035PR
18	PUR	10	C18/00310PR