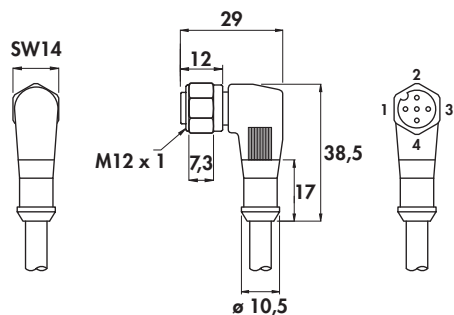


## FEMALE CONNECTORS M12 x 1

- For ATEX sensors
- Angled in d.c.
- Moulded with cable
- According to 94/9/CE - EN60079-0 - EN60947-5-2

Connector 8B



### General Features:

Female connectors of this section can be matched to the BDC ATEX proximity sensors according to the category as indicated on the table below.

They must be separately ordered. The 2 wires model is suitable for NAMUR sensors either on N.O. or N.C. version. It is possible to use it in zone 1 or 21 without additional protections against electrostatic charges.

Particular moulding processes assure the maximum sealing, making these products suitable even for heavy applications.

**Note: use in hazardous area according to the instructions manual supplied together the sensors.**

### Technical data:

- Operating voltage: max 50 Vac/75 Vdc
- Maximum current: 4 A
- Contact resistance:  $\leq 5 \text{ m}\Omega$
- Contacts: CuZn, brass pre-nickel and gold plated (0,8  $\mu\text{m}$ )
- Locking nut: self-locking in CuZn, nickel plated brass
- Temperature range:  $-25^\circ \div +90^\circ\text{C}$
- Degree of protection: IP68 with plug in fully locked position

### ORDERING REFERENCES

Connector n°	ORDERING REFERENCES				
	Category	2G - 2D	3G - 3D	3G - 3D	
	Zone	1 - 21	2 - 22	2 - 22	
	Cap. cable pF/m	140	170	170	
	Induct. cable $\mu\text{H}/\text{m}$	0,4	0,8	0,8	
	Cable	<b>2 wires (blue)</b>	<b>3 wires (grey)</b>	<b>4 wires (grey)</b>	
	Section	2 x 0,75 mm <sup>2</sup> - $\varnothing$ ext. 5	3 x 0,50 mm <sup>2</sup> - $\varnothing$ ext. 5	4 x 0,35 mm <sup>2</sup> - $\varnothing$ ext. 5	
Material	Length m.	Wiring Diagrams			
		1) brown + 2) blue - 4)	1) brown + 4) black output 2) white output 3) blue -	1) brown + 4) black output NO 2) white output NC 3) blue -	
8B	PVC	2	<b>C8B/0022PVA</b>	<b>C8B/0032PV3GD</b>	<b>C8B/0042PV3GD</b>
8B	PVC	5	<b>C8B/0025PVA</b>	<b>C8B/0035PV3GD</b>	<b>C8B/0045PV3GD</b>
8B	PVC	10	<b>C8B/00210PVA</b>	<b>C8B/00310PV3GD</b>	<b>C8B/00410PV3GD</b>
8B	PUR	2	<b>C8B/0022PRA</b>	<b>C8B/0032PR3GD</b>	<b>C8B/0042PR3GD</b>
8B	PUR	5	<b>C8B/0025PRA</b>	<b>C8B/0035PR3GD</b>	<b>C8B/0045PR3GD</b>
8B	PUR	10	<b>C8B/00210PRA</b>	<b>C8B/00310PR3GD</b>	<b>C8B/00410PR3GD</b>