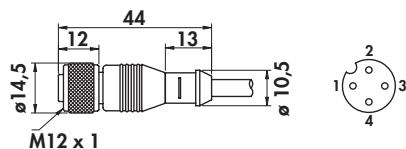


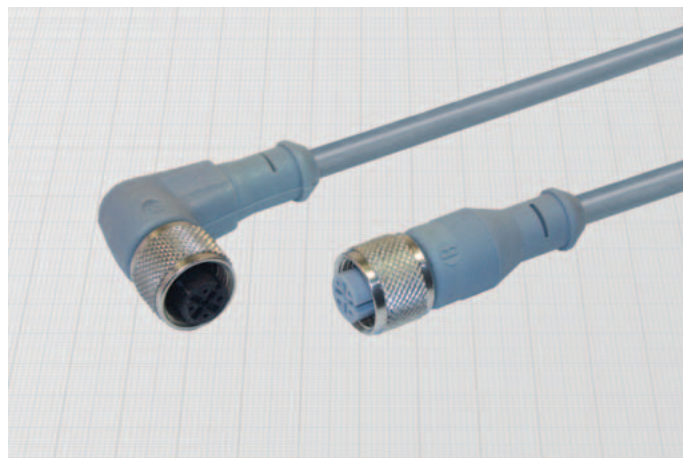
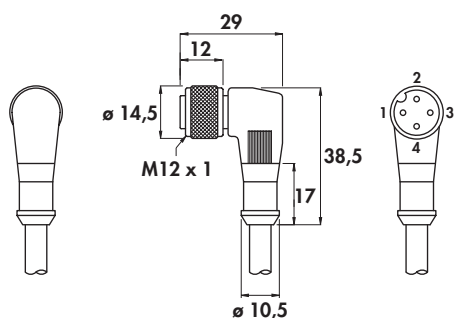
FEMALE CONNECTORS M12 x 1

- For high temperatures: (-40° ÷ +120°C)
- Straight and angled in d.c.
- Moulded with cable
- According to EN 60947-5-2

Connector 10



Connector 8B



General Features:

These female connectors are suitable for the use with BDC high temperature proximity sensors. They must be separately ordered. Particular moulding processes assure the maximum sealing, making these products suitable even for heavy applications. The self securing locking nut assures the resistance to vibrations.

Technical data:

- Operating voltage: max 50 Vac/75 Vdc
- Maximum current: 4 A
- Contact resistance: ≤ 5 mΩ
- Contacts: CuZn, brass pre-nickel and gold plated (0,8 μm)
- Locking nut: self-locking in CuZn, nickel plated brass
- Temperature range: -40° ÷ +120°C
- Degree of protection: IP68 with plug in fully locked position

| Connector n° | Cable | ORDERING REFERENCES | |
|--------------|-----------------------------------------------|-------------------------------------------------------------------------|-------------------------------------|
| | | 3 wires | 4 wires |
| | Section | 3 x 0,50 mm ² - ø ext. 5 | 4 x 0,35 mm ² - ø ext. 5 |
| Length m. | 1 > brown + 4 > black output 3 > blue - | 1 > brown + 4 > black output NO 2 > white output NC 3 > blue - | |
| 10 | 2 | C10/0032T | C10/0042T |
| 10 | 5 | C10/0035T | C10/0045T |
| 10 | 10 | C10/00310T | C10/00410T |
| 8B | 2 | C8B/0032T | C8B/0042T |
| 8B | 5 | C8B/0035T | C8B/0045T |
| 8B | 10 | C8B/00310T | C8B/00410T |