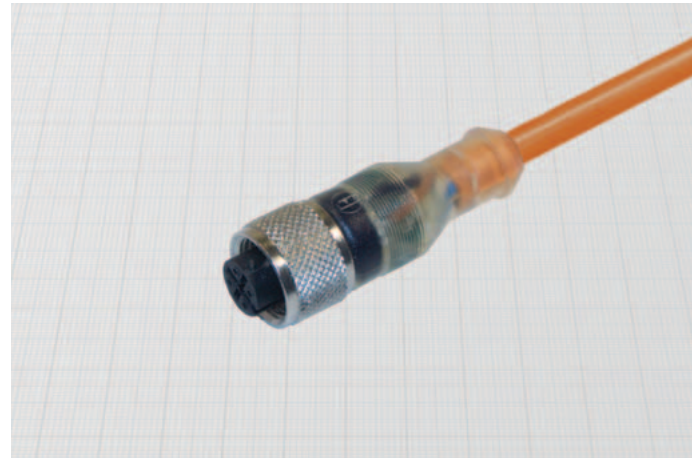
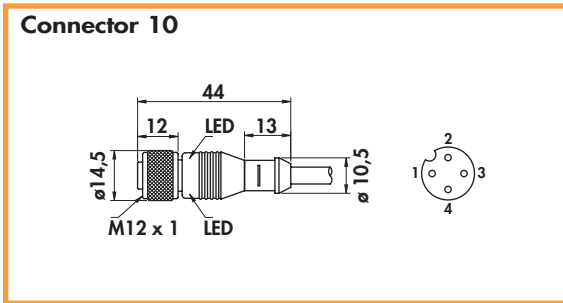


Straight in d.c. with LED •
Moulded with cable •
 According to EN 60947-5-2 •



General Features:

Female connectors of this section can be matched to the proximity sensors as indicated on the ordering references tables of the products. They must be separately ordered.

Particular moulding processes assure the maximum sealing, making these products suitable even for heavy applications. The self securing locking nut assures the resistance to vibrations.

Grey moulding and cable are available upon request.

Technical data:

- Operating voltage: 10 ÷ 30 Vdc
- Maximum current: 4 A
- Contact resistance: ≤ 5 mΩ
- Contacts: CuZn, brass pre-nickel and gold plated (0,8 μm)
- Moulding: transparent PUR
- Locking nut: self-locking in CuZn, nickel plated brass
- O-Ring: NBR
- Temperature range: - 25° ÷ + 90°C
- Degree of protection: IP68 with plug in fully locked position

Connector n°	Cable	ORDERING REFERENCES				
		3 wires with LED		4 wires with LED		
		3 x 0,50 mm ² - ø ext. 5		4 x 0,35 mm ² - ø ext. 5		
Material	Length m.	PNP	NPN	PNP	NPN	
10	PVC	2				
10	PVC	5	C10/2P32PV	C10/2N32PV	C10/2P42PV	C10/2N42PV
10	PVC	10	C10/2P35PV	C10/2N35PV	C10/2P45PV	C10/2N45PV
10	PVC	10	C10/2P310PV	C10/2N310PV	C10/2P410PV	C10/2N410PV
10	PUR	2	C10/2P32PR	C10/2N32PR	C10/2P42PR	C10/2N42PR
10	PUR	5	C10/2P35PR	C10/2N35PR	C10/2P45PR	C10/2N45PR
10	PUR	10	C10/2P310PR	C10/2N310PR	C10/2P410PR	C10/2N410PR