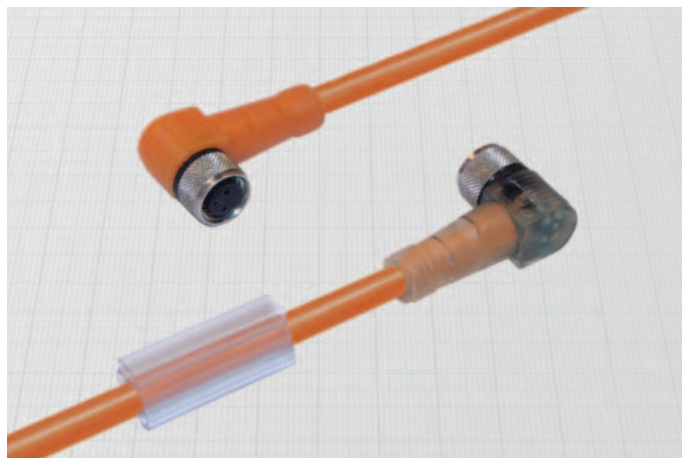
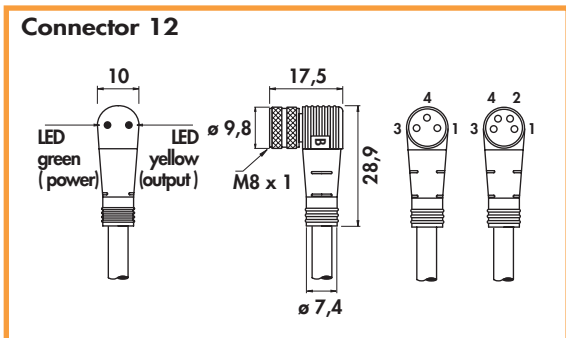


FEMALE CONNECTORS M8 x 1

- Angled in d.c.
- Moulded with cable
- According to EN 60947-5-2



General Features:

Female connectors of this section can be matched to the proximity sensors as indicated on the ordering references tables of the products. They must be separately ordered.

These models offer a high degree of protection even in small dimensions. They are in fact suitable for the smaller models of d.c. sensors. The self securing locking nut assures the resistance to vibrations.

Grey moulding and cable are available upon request.

Technical data:

- Operating voltage: 10 ÷ 30 Vdc types with LED
max 50 Vac/75 Vdc types without LED
- Maximum current: 4 A
- Contact resistance: $\leq 5 \text{ m}\Omega$
- Contacts: CuZn, brass pre-nickel and gold plated (0,8 μm)
- Moulding: PUR
- Locking nut: self-locking in CuZn, nickel plated brass
- O-Ring: NBR
- Temperature range: -25° ÷ +90°C
- Degree of protection: IP68 with plug in fully locked position

Connector n°	Cable	ORDERING REFERENCES					
		3 wires	3 wires with LED		4 wires	3 wires + shield	
		Section	Section		Section	Section	
		3 x 0,35 mm ² - ø ext. 4	3 x 0,35 mm ² - ø ext. 4		4 x 0,25 mm ² - ø ext. 4	3 x 0,22 mm ² + sch. - ø ext. 4	
Material	Length m.	1) brown + 4) black output 3) blue -	PNP brown + black output 4) LED yellow green blue -	NPN brown + LED yellow green black output blue -	1) brown + 4) black output NO 2) white output NC 3) blue -	1) brown + 4) black output 3) blue - 2) shield	
12	PVC	2	C12/0032PV	C12/2P32PV	C12/2N32PV	C12/0042PV	C12/0042VS
12	PVC	5	C12/0035PV	C12/2P35PV	C12/2N35PV	C12/0045PV	C12/0045VS
12	PVC	10	C12/00310PV	C12/2P310PV	C12/2N310PV	C12/00410PV	C12/00410VS
12	PUR	2	C12/0032PR	C12/2P32PR	C12/2N32PR	C12/0042PR	-
12	PUR	5	C12/0035PR	C12/2P35PR	C12/2N35PR	C12/0045PR	-
12	PUR	10	C12/00310PR	C12/2P310PR	C12/2N310PR	C12/00410PR	-