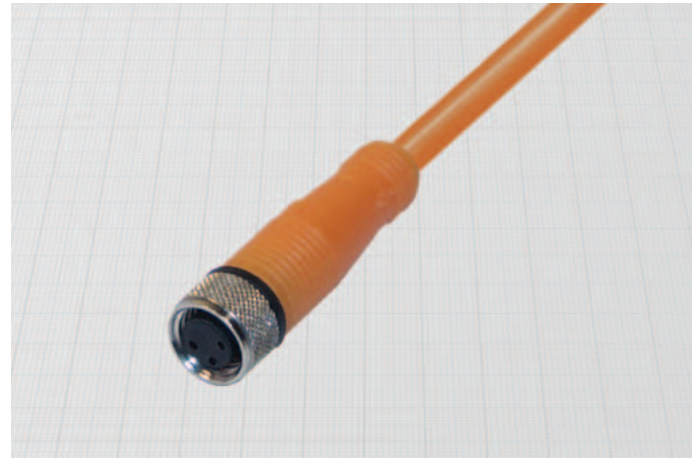
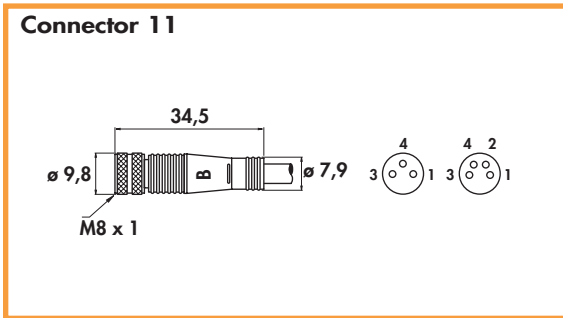


Straight in d.c. •
Moulded with cable •
 According to EN 60947-5-2 •



General Features:

Female connectors of this section can be matched to the proximity sensors as indicated on the ordering references tables of the products. They must be separately ordered.

These models offer a high degree of protection even in small dimensions. They are infact suitable for the smaller models of d.c. sensors. The self securing locking nut assures the resistance to vibrations.

Grey moulding and cable are available upon request.

Technical data:

- Operating voltage: 10 ÷ 30 Vdc types with LED
max 50 Vac/75 Vdc types without LED
- Maximum current: 4 A
- Contact resistance: ≤ 5 mΩ
- Contacts: CuZn, brass pre-nickel and gold plated (0,8 μm)
- Moulding: PUR
- Locking nut: self-locking in CuZn, nickel plated brass
- O-Ring: NBR
- Temperature range: -25° ÷ +90°C
- Degree of protection: IP68 with plug in fully locked position

			ORDERING REFERENCES				
			3 wires	3 wires with LED	4 wires	3 wires + shield	
Connector n°	Cable						
	Section	3 x 0,35 mm ² - ø ext. 4	3 x 0,35 mm ² - ø ext. 4	4 x 0,25 mm ² - ø ext. 4	3 x 0,22 mm ² + sch. - ø ext. 4		
	Material						
	Length m.						
		1) brown + 4) black output 3) blue -	PNP 1) brown + 4) black output LED yellow LED green 3) blue -	NPN 1) brown + LED yellow LED green 4) black output 3) blue -	1) brown + 4) black output NO 2) white output NC 3) blue -	1) brown + 4) black output 3) blue - 2) shield	
11	PVC	2	C11/0032PV	C11/2P32PV	C11/2N32PV	C11/0042PV	C11/0042VS
11	PVC	5	C11/0035PV	C11/2P35PV	C11/2N35PV	C11/0045PV	C11/0045VS
11	PVC	10	C11/00310PV	C11/2P310PV	C11/2N310PV	C11/00410PV	C11/00410VS
11	PUR	2	C11/0032PR	C11/2P32PR	C11/2N32PR	C11/0042PR	-
11	PUR	5	C11/0035PR	C11/2P35PR	C11/2N35PR	C11/0045PR	-
11	PUR	10	C11/00310PR	C11/2P310PR	C11/2N310PR	C11/00410PR	-