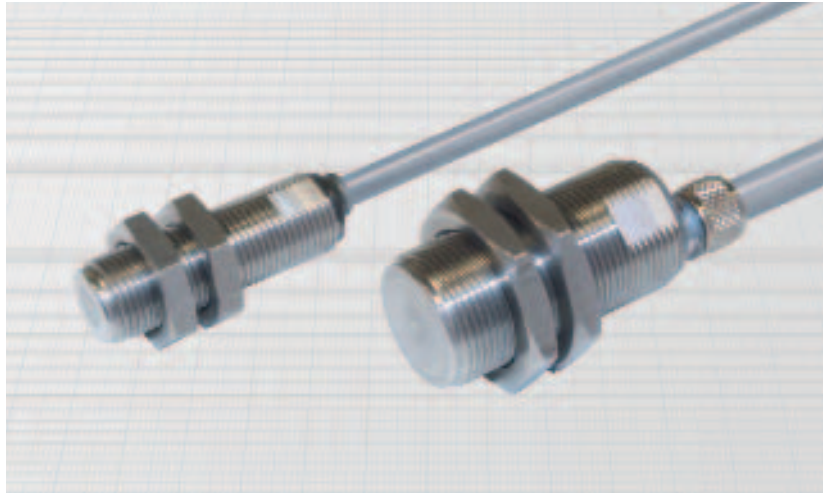
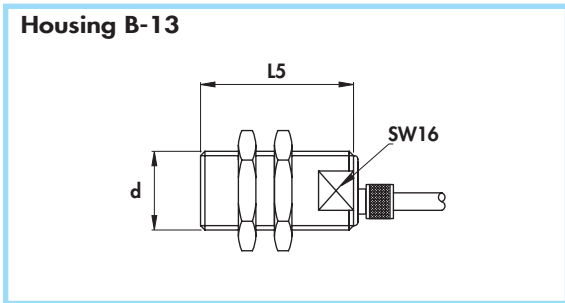
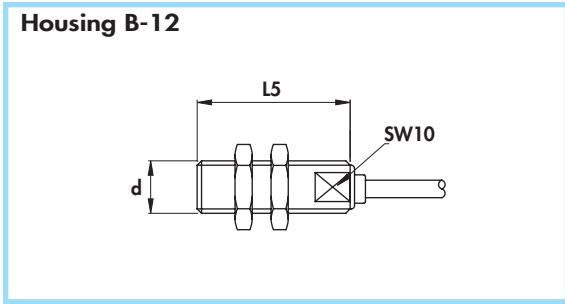


**Double output A + B •**

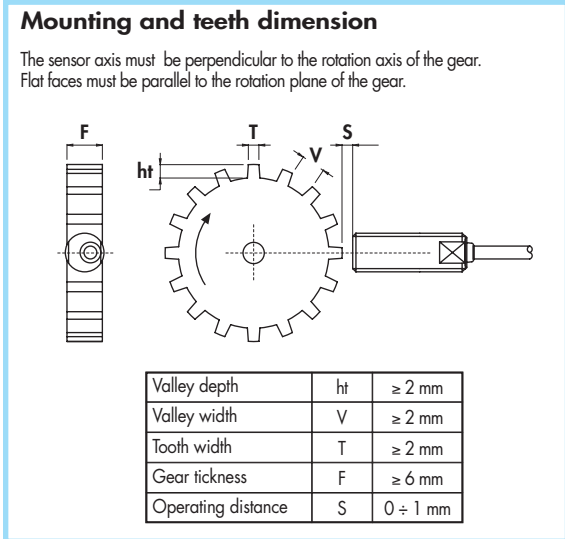
**Cable output •**



Diameter	M12 x 1	M18 x 1
Nut	Size	SW17
	Thickness mm	4
Max tightening torque Nm	20	50

**Materials:**

- Cable: 2 m thermoplastic, 300 V; O.R.
- Housing: stainless steel
- Back cap: plastic

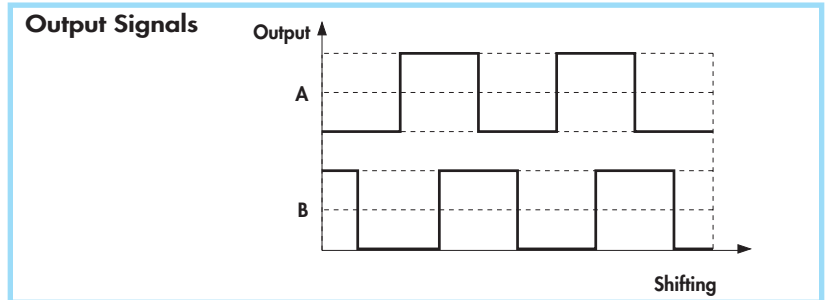


**General Features:**

This sensor gives two separated signals shifted which allow to detect not only the rotation speed but also the direction of a ferrous toothed wheel or reference marks. The frequencies of the digital output signals are proportional to the rotation speed starting from zero. The outputs are NPN open collector. The extremely strong construction allows the use in the most difficult conditions even with high pressures on the housing. The sensor must be aligned to the rotation axis of the wheel.

**Technical data:**

- Supply voltage: 5 ÷ 25 Vdc
- No load supply current: ≤ 21 mA
- Voltage drop (I<sub>o</sub> = 10mA): ≤ 0,4 V
- Temperature range: - 40 ÷ +120°C
- Degree of protection: IP68
- Max pressure on front side: 150 bar
- Protected against short-circuit and overload
- Protected against any wrong connection
- Electromagnetic compatibility (EMC) according to EN60947-5-2
- Shock and vibration resistance according to EN60068-2-27
- Cable conductor cross section: 0,25 mm<sup>2</sup>



Housing	L1	L2	L3	L4	L5	Cable diameter	Body diameter (d)	Max switching frequency (f)	Rated operational current (I <sub>o</sub> )	ORDERING REFERENCES	
	mm	mm	mm	mm	mm					mm	mm
B-12	-	-	-	-	35	4	M12 x 1	6	20	NPN BRDS12X/4628KJ	
B-13	-	-	-	-	35	5	M18 x 1	6	20	NPN BRDS18X/4628KJ	

