

• MAGNETS FOR SENSORS

Fig. A

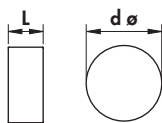


Fig. B

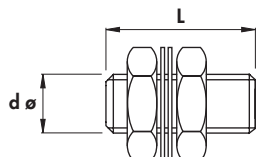


Fig. C

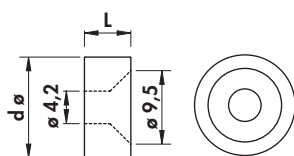
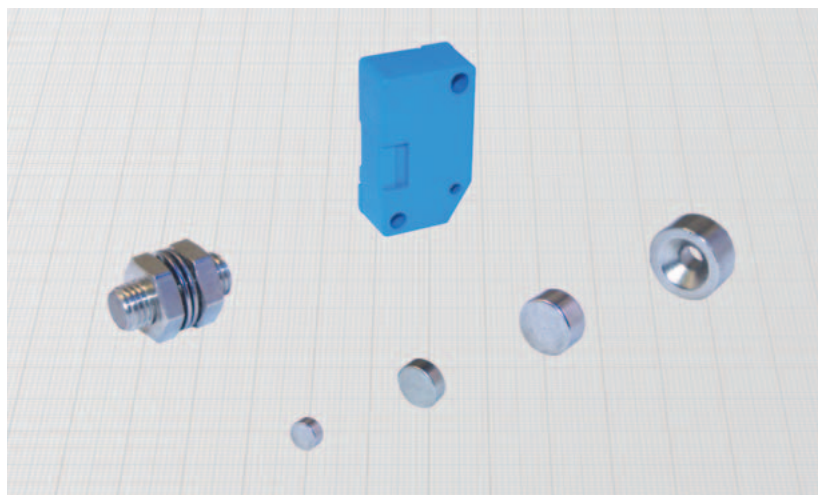
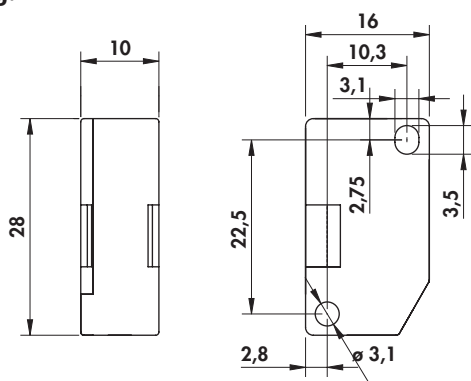


Fig. D



General Features:

These magnets can be used as actuator for all the magnetic sensors which need an external activation magnet. They're suitable for applications up to 70° C. For particular applications contact our technical office.

In the ordering reference table there are approximate detection distances obtained with different types of BDC sensors.

Fig.	Diameter	L	DETECTION DISTANCE		ORDERING REFERENCES
			With Reed sensors	With static sensors	
	mm	mm			
A	5	3	6	15	MAG-T53 MAG-T83 MAG-T105
A	8	3,6	13	22	
A	10	5	20	30	
B	M8x1	20	10	17	MAG-M820
C	13	6	25	45	MAG-TF136
D	-	-	13	22	MAG-Z