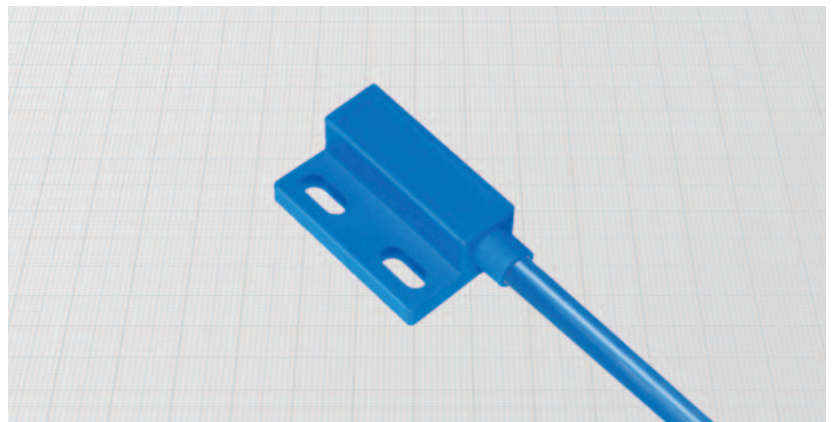
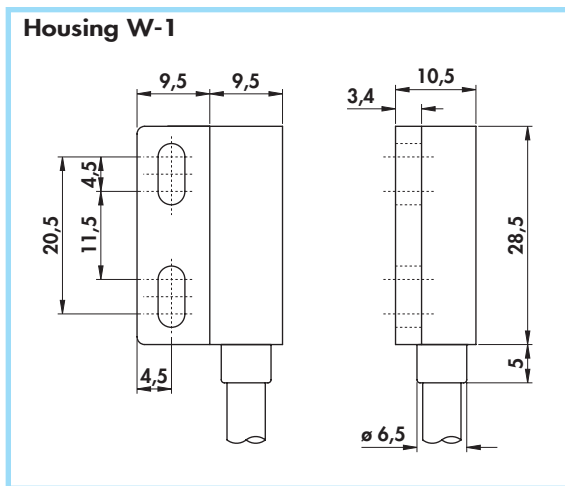
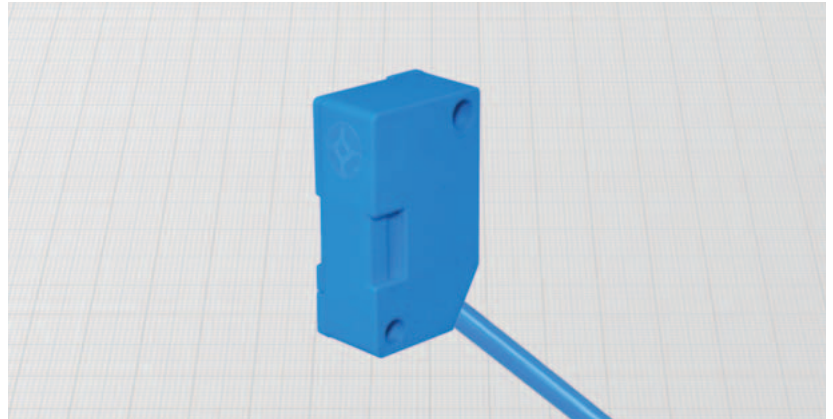
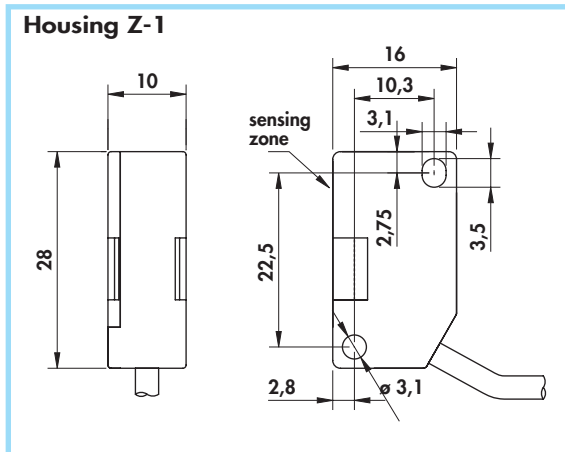


RECTANGULAR MAGNETIC SENSORS

- REED CONTACT 2 wires
- Type Z and W
- Cable output



Materials:

- Cable: 2m PVC CEI 20 - 22 II; 90°C; 300 V; O.R.
- Housing: plastic

General Features:

These sensors give on the output a contact activated by an external magnetic field, not depending by the polarity of the field. The activation distance depends by the power of the magnet (see on page C-12), which must be ordered separately. Reed contacts allows to drive directly dc loads (PNP/NPN) or ac loads.

Technical data:

- Working voltage: max 50 Vac/75 Vdc
- Output function: normally open
- Contact resistance max: 0,1 Ω
- Operate time max: 1 ms
- Release time max: 0,4 ms
- Temperature range: -25 ÷ + 85°C
- Degree of protection: IP67
- Cable conductor cross section: 0,15 mm² Type Z
0,50 mm² Type W

Housing	Cable diameter	Max switching frequency (f)	Rated operational current (I _o)	ORDERING REFERENCES
	mm	KHz	mA	
Z - 1	3	0,5	500	BMSZ/4600
W - 1	5	0,5	500	BMSW/4600