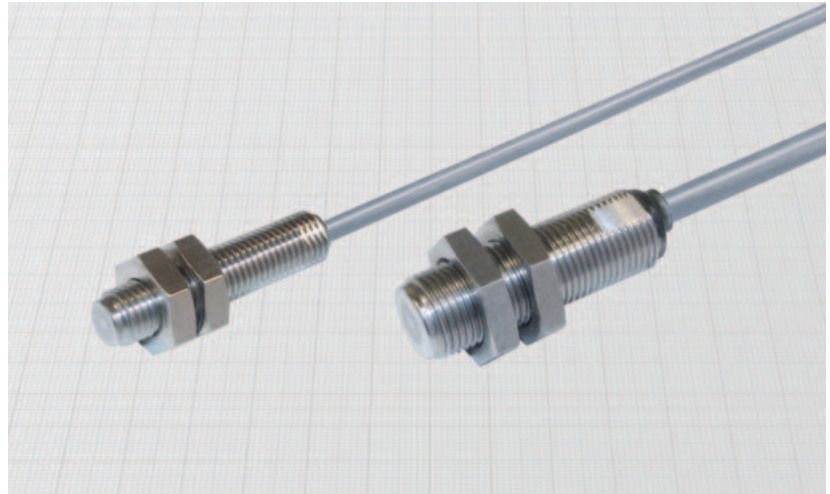
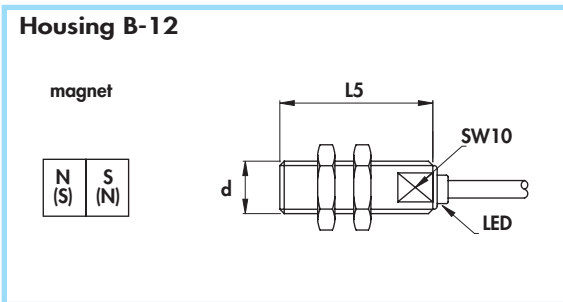
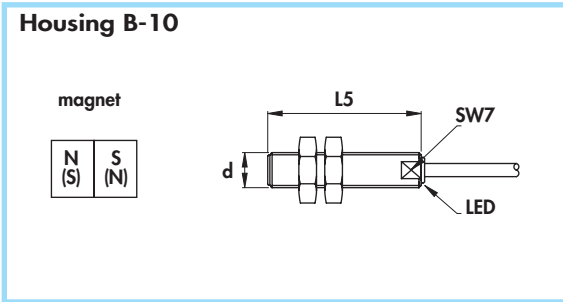


# CYLINDRICAL MAGNETIC SENSORS IN METAL HOUSING

- REED CONTACT 2 and 3 wires with LED
- Detection of magnets
- Cable output



Diameter	M8 x 1	M12 x 1
Nut	Size	SW13
	Thickness mm	4
Max tightening torque Nm	10	20

### Materials:

- Cable: 2m PVC CEI 20 - 22 II; 90°C; 300 V; O.R.
- Housing: stainless steel

### General Features:

These sensors give on the output a contact activated by an external magnetic field, not depending by the polarity of the field. The activation distance depends by the power of the magnet (see on page C-12), which must be ordered separately. Reed contacts allows to drive directly dc loads (PNP/NPN) or ac loads. The output status is indicated by LED. The extremely strong construction allows the use in the most difficult conditions even with high pressures on the housing.

### Technical data:

- Working voltage: 10 ÷ 30 Vac/Vdc
- Voltage drop ( $U_d$ ) (2 wires versions)
  - with  $I_e = 10$  mA:  $\leq 2,2$  V
  - with  $I_e = 100$  mA:  $\leq 3$  V
- Output logic: normally open
- Contact resistance max (3 wires versions): 0,1  $\Omega$
- Operate time max: 1 ms
- Release time max: 0,4 ms
- Temperature range: - 25 ÷ + 85°C
- Degree of protection:
  - front side: IP68
  - cable output side: IP67
- Max pressure on the front side: 150 bar
- Output status indication: yellow LED
- Cable conductor cross section:
  - 0,22 mm<sup>2</sup> on 8 mm
  - 0,34 mm<sup>2</sup> on 12 mm

Housing	L1	L2	L3	L4	L5	Cable diameter	Body diameter (d)	Max switching frequency (f)	Rated operational current (I <sub>e</sub> )	ORDERING REFERENCES		
										PNP	NPN	2 wires
										NO brown black blue	NO blue black brown	NO black black
B-10	-	-	-	-	35	3,5	M8 x 1	0,5	500	<b>BMS8/4600S</b>	-	-
B-12	-	-	-	-	35	4	M12 x 1	0,5	500	<b>BMS12/4600S</b>	-	-
B-10	-	-	-	-	35	4	M8 x 1	0,5	100	-	-	<b>BMS8/4602S</b>
B-12	-	-	-	-	35	4	M12 x 1	0,5	100	-	-	<b>BMS12/4602S</b>