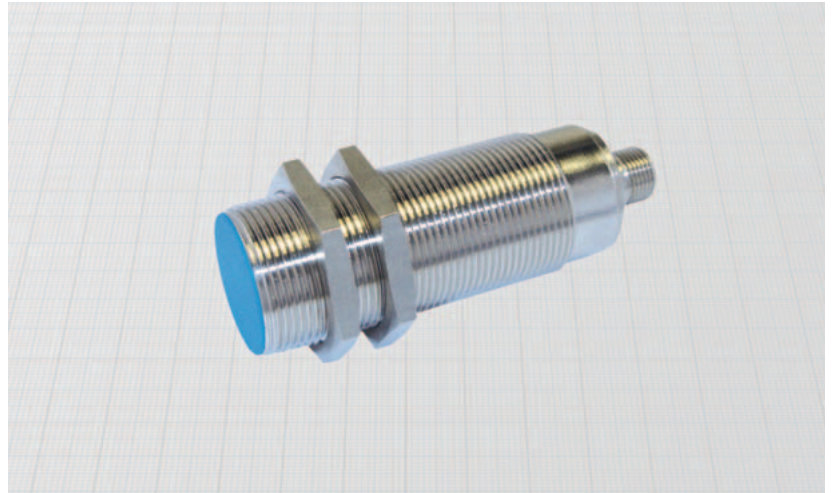
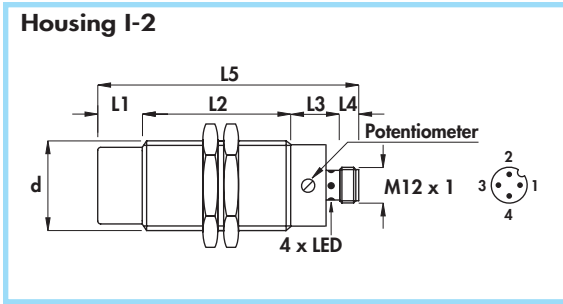


**Amplified in d.c.** •  
**Connector output M12 x 1** •



Diameter	M30 x 1,5	
Nut	Size	SW36
	Thickness mm	5
Max tightening torque Nm	80	

**Materials:**

- Housing: nickel plated brass
- Sensing face: plastic

**General Features:**

Capacitive sensors are suitable for any material detection. Some material, mostly if liquids, can be detected also through plastic or glass walls. They can be used for the most different applications: level controls on storage bin or tanks; detection of presence or filling of bottles; rain sensor; anti-vandalic key; etc. The adjustment of the sensing distance is possible through the potentiometer on the smooth part of the housing.

**Technical data:**

- Supply voltage ( $U_B$ ): 10 ÷ 60 Vdc
- Max ripple: 10%
- No-load supply current ( $I_0$ ): ≤ 10 mA
- Voltage drop ( $U_d$ ): ≤ 2,2 V
- Temperature range: - 25° ÷ + 70°C
- Max thermal drift of sensing distance  $S_T$ : ± 20%
- Repeat accuracy (R): 4%
- Switching hysteresis max (H): 15%
- Degree of protection: IP65
- Switch status indicator: yellow LED
- Protected against short-circuit and overload
- Protected against any wrong connection
- Suppression of initial false impulse
- Electromagnetic compatibility (EMC) according to EN60947-5-2
- Shock and vibration resistance according to EN60068-2-27 EN60068-2-6

Housing	Mounting Flush mounting Non flush mounting	L1	L2	L3	L4	L5	Female connector	Body diameter (d)	Max switching frequency (f)	Rated operational current (I <sub>e</sub> )	Nominal sensing distance (S <sub>n</sub> ) ± 10%	ORDERING REFERENCES	
		mm	mm	mm	mm	mm						n°	mm
I-2	•	-	50	18	8	76	6-8B-10	M30 x 1,5	100	400	3 ÷ 10	NO + NC 	
I-2	•	15	35	18	8	76	6-8B-10	M30 x 1,5	100	400	5 ÷ 20	<b>BKS30S/4329KS</b>  <b>BKS30S/5329KS</b>	
												<b>NPN (negative switching)</b> Use the above mentioned part number changing the last number 9 with 8 (ie. BKS30S/4328KS)	
												NO + NC 	