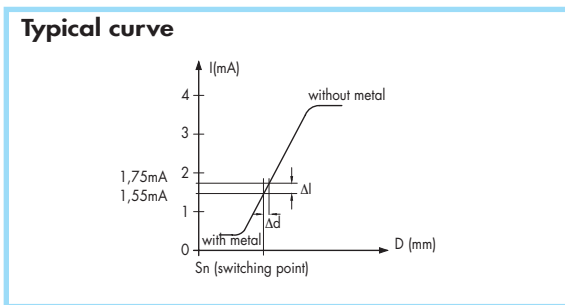
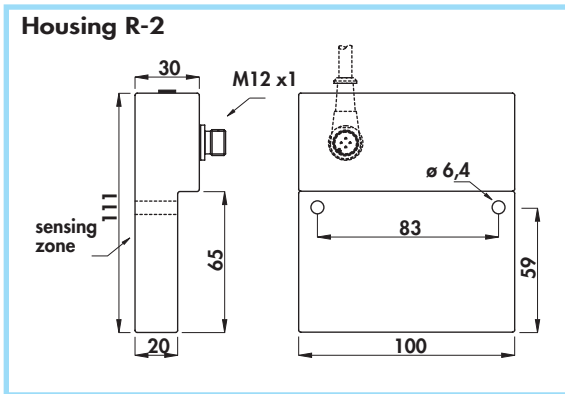
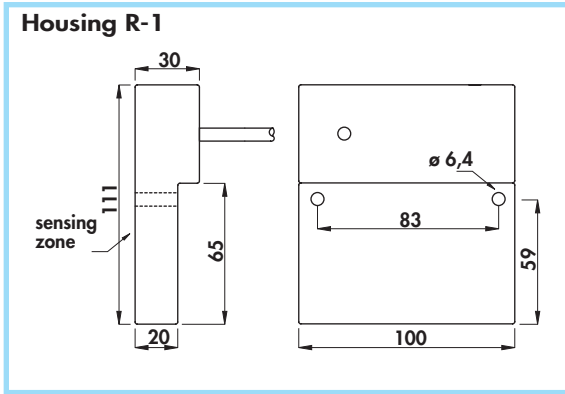


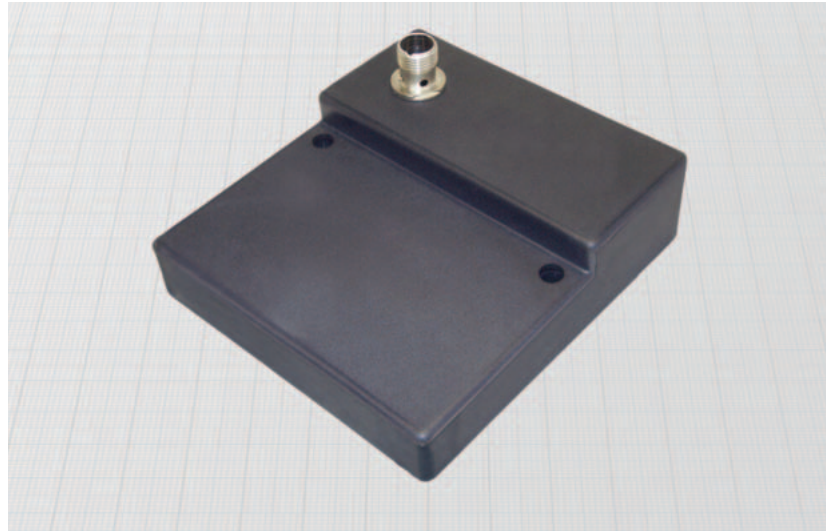
RECTANGULAR INDUCTIVE ATEX SENSORS

- NAMUR SERIES - Type R
- ATEX certified II 1GD for zone 0;20
- Cable and connector output



Materials:

- Cable: 2 m PVC CEI 20 - 22 II; 90°C; 300 V; O.R.
- Housing: plastic



General Features:

Suitable for detection of large targets. The special material of the housing allows the use without additional protections against electrostatic charges.

Technical data:

- Supply voltage according to NAMUR: 7,7 ÷ 9 Vdc
- Max ripple: 10%
- Consumption at 8,2 V with $R_x = 1000 \Omega$
 - with metal: $\leq 1 \text{ mA}$
 - without metal: $\geq 3 \text{ mA}$
- Temperature range: $-20^\circ \div +60^\circ \text{C}$
- Max thermal drift of sensing distance S_n : $\pm 10\%$
- Repeat accuracy (R): 2%
- Degree of protection according to EN60529: IP67
- Cable conductor cross section: 0,75 mm²
- Marking: II 1D IP67 T80°C
II 1G EEx ia IIC T6
- Certified CESI 03 ATEX 080
- Electromagnetic compatibility (EMC) according to EN60947-5-2
- According to: EN60947-5-6/EN50014/EN50020/EN50281-1-1/EN50284
- Shock and vibration resistance according to EN60068-2-27 EN60068-2-6

Safety parameters:

- V_i max: 13,5 V
- I_i max: 60 mA
- C_i max: 100 nF
- L_i max: 100 μH
- P_i max: 200 mW

Use in hazardous area according to instruction manuals

Housing	Flush mounting Non flush mounting	Cable diameter	Female connector Atex	Sensing zone diameter	Nominal sensing distance (S_n) $\pm 10\%$	Max switching frequency (f)	ORDERING REFERENCES
		mm					
R - 1	•	5	-	75	55	0,3	DCR/5800A
R - 2	•	-	8B - 10	75	55	0,3	DCR/5300A

