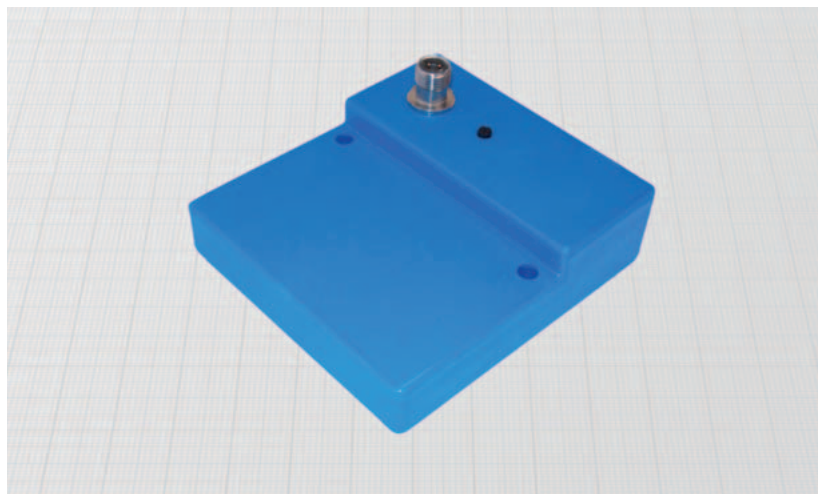
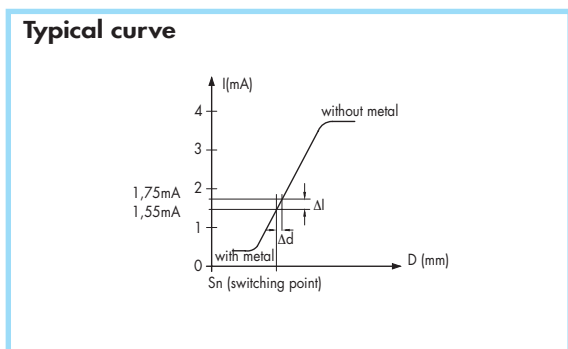
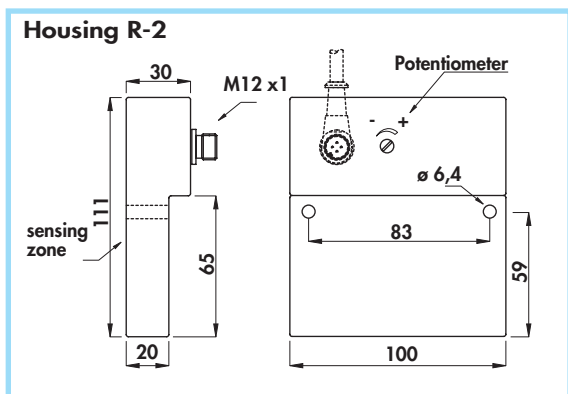
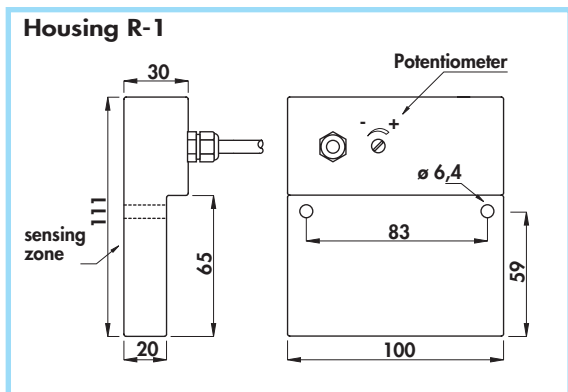


RECTANGULAR INDUCTIVE SENSORS

- **NAMUR SERIES - Type R - Adjustable sensing distance**
- **Non-amplified in d.c. 2 wires**
- Cable and connector output M12 x 1



General Features:

These sensors are suitable for non flush mounting and have the adjustable sensing distance turning a multiturn potentiometer.

Technical data:

- Working voltage: $5 \div 30$ Vdc
- Supply voltage according to NAMUR: $7,7 \div 9$ Vdc
- Max ripple: 10%
- Consumption at 8,2 V con $R_x = 1000 \Omega$
 - with metal: ≤ 1 mA
 - without metal: ≥ 3 mA
- Temperature range: $-20^\circ \div +70^\circ\text{C}$
- Max thermal drift of sensing distance S_p : $\pm 10\%$
- Repeat accuracy (R): 4%
- Degree of protection: IP65
- Cable conductor cross section (cable version): $0,75 \text{ mm}^2$
- According to EN60947-5-6
- Electromagnetic compatibility (EMC) according to EN60947-5-2
- Shock and vibration resistance according to EN60068-2-27 EN60068-2-6
- For certified ATEX version see ATEX Catalogue

Materials:

- Cable: 2 m PVC CEI 20 - 22 II; 90°C ; 300 V; O.R.
- Housing: plastic
- Connector: nickel plated brass

Housing	Flush mounting Non flush mounting	Cable diameter	Female connector	Sensing zone diameter	Max switching frequency (f)	Distanza nominale di int. (S_p)	ORDERING REFERENCES
							mm
R - 1	•	5	-	75	0,3	10 ÷ 55	DCR/5800
R - 2	•	-	6 - 8B - 10	75	0,3	10 ÷ 55	DCR/5300

