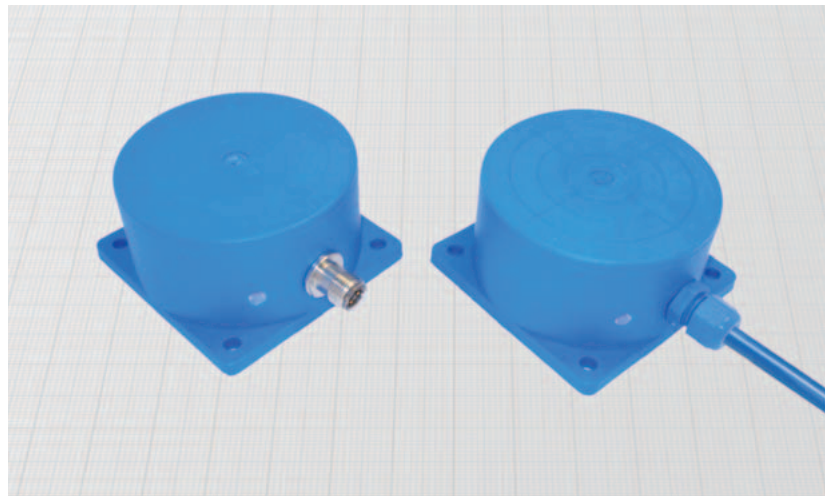
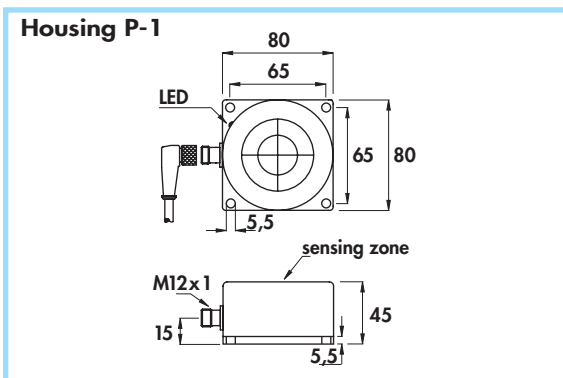
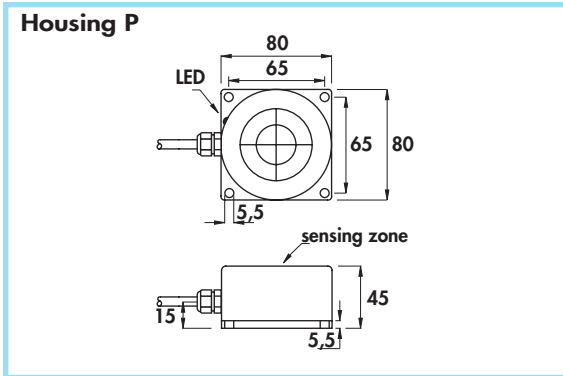


Diameter 80 mm •  
 Amplified in a.c. 2 wires •  
 Cable and connector output M12 x 1 •



**Materials:**

- Cable: 2 m PVC CEI 20 - 22 II; 90°C; 300 V; O.R.
- Housing: plastic
- Connector: nickel plated brass

**Technical data:**

- Supply voltage ( $U_B$ ): 20 ÷ 240 Vac
- Electrical system frequency: 40 ÷ 60 Hz
- Off-state current ( $I_0$ ): ≤ 1,5 mA at 110 Vac
- Minimum operational current ( $I_m$ ): 5 mA
- Voltage drop ( $U_d$ ): ≤ 5 V
- Temperature range: -25° ÷ +70°C
- Max thermal drift of sensing distance  $S_r$ : ± 10%
- Repeat accuracy (R): 2%
- Switching hysteresis (H): 10%
- Degree of protection: IP67
- Switch status indicator: yellow LED
- Cable conductor cross section (cable version): 0,75 mm<sup>2</sup>
- Suppression of initial false impulse
- Class 2 equipment according to IEC 536
- Shock and vibration according to EN60068-2-27 EN60068-2-6
- Electromagnetic compatibility (EMC) according to EN60947-5-2

Housing	Flush mounting Non flush mounting	Cable diameter	Female connector	Sensing zone diameter	Max switching frequency (f)	Rated operational current (I <sub>e</sub> )	Nominal sensing distance (S <sub>n</sub> ) ± 10%	ORDERING REFERENCES	
								Cable output	
P	•	6	-	80	15	500	40	NO black black	NC black black
								<b>AC80B/5809S</b>	<b>AC80B/5819S</b>
P-1	•	-	15-16	80	15	500	40	4 PIN connector	
								NO 1 brown 2 blue	NC 1 brown 2 blue
P-1	•	-	17-18	80	15	500	40	3 PIN connector according to EN60947-5-2	
								NO 3 blue 2 brown	NC 3 blue 2 brown
P-1	•	-	17-18	80	15	500	40	<b>AC80B/5009S</b>	<b>AC80B/5019S</b>