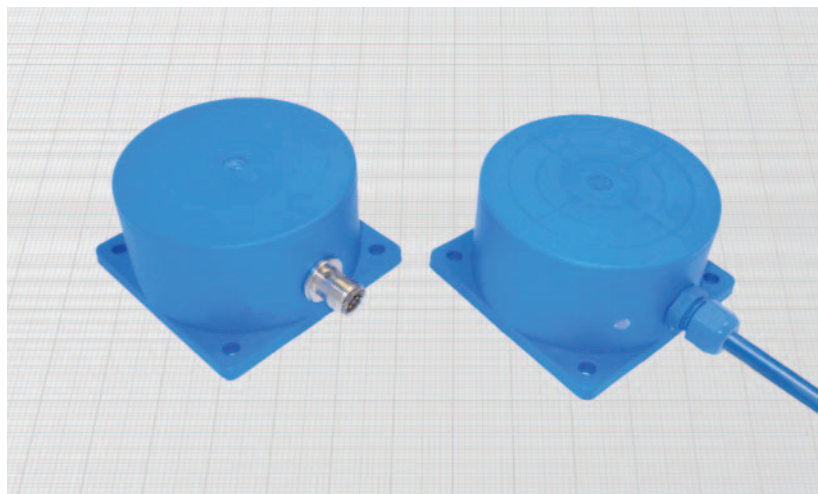
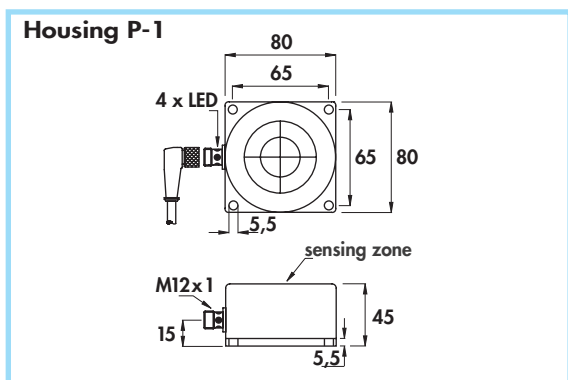
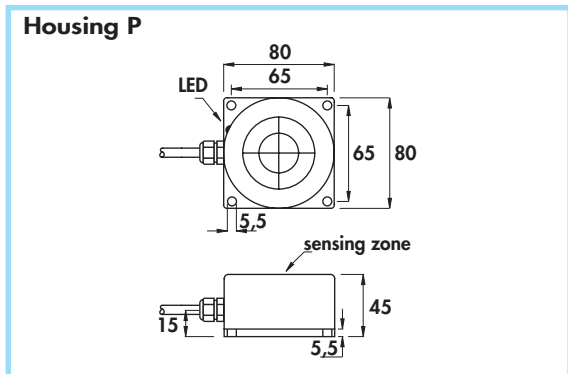


RECTANGULAR INDUCTIVE SENSORS

- Diameter 80 mm
- Amplified in d.c. 3 and 4 wires
- Cable and connector output M12 x 1



Materials:

- Cable: 2 m PVC CEI 20 - 22 II; 90°C; 300 V; O.R.
- Housing: plastic
- Connector: nickel plated brass

Technical data:

- Supply voltage (U_b): 10 ÷ 60 Vdc
- Max ripple: 10%
- No-load supply current (I_0): ≤ 10 mA
- Voltage drop (U_d): ≤ 2,2 V
- Temperature range: - 25° ÷ + 70°C
- Max thermal drift of sensing distance S_T : ± 10%
- Repeat accuracy (R): 2%
- Switching hysteresis (H): 10%
- Degree of protection: IP67
- Switch status indicator: yellow LED
- Cable conductor cross section (cable version): 0,50 mm²
- Protected against short-circuit and overload
- Protected against any wrong connection
- Suppression of initial false impulse
- Electromagnetic compatibility (EMC) according to EN60947-5-2
- Shock and vibration resistance according to EN60068-2-27 EN60068-2-6

Housing	Flush mounting Non flush mounting	Cable diameter	Female connector	Sensing zone diameter	Max switching frequency (F)	Rated operational current (I_e)	Nominal sensing distance (S_n) ± 10%	ORDERING REFERENCES		
								PNP (positive switching)		
								NO	NC	NO + NC
P	•	6	-	80	0,5	400	40			
P-1	•	-	6-8B-10	80	0,5	400	40			
								NPN (negative switching)		
								Use the above mentioned part number changing the last number 9 with 8 (ie. DCA80B/5808KS)		
								NO	NC	NO + NC