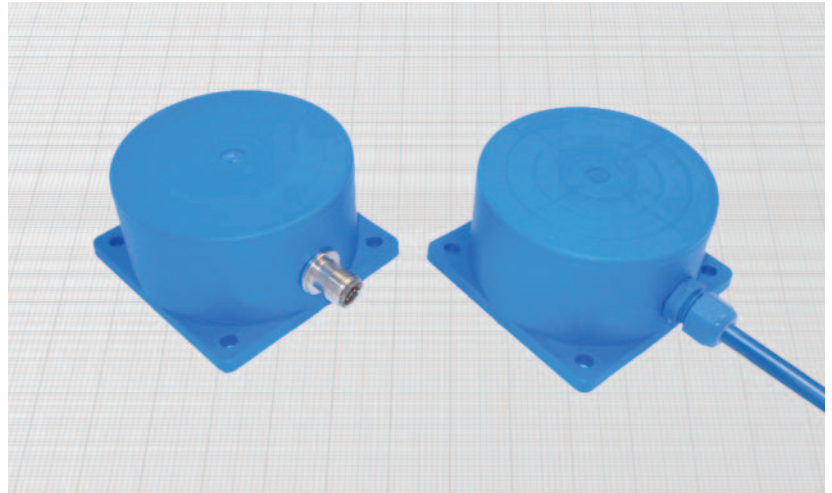
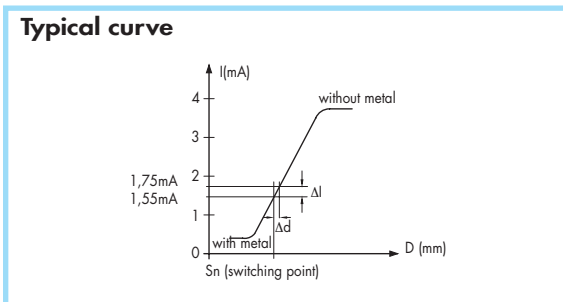
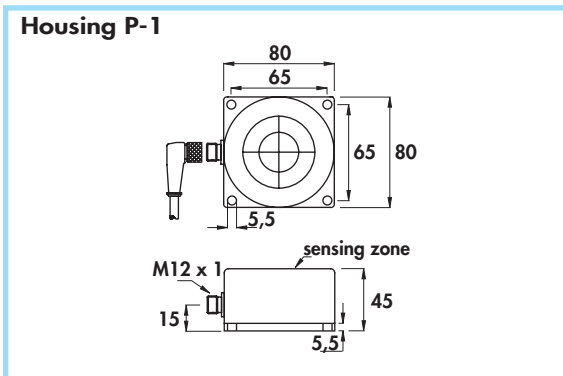
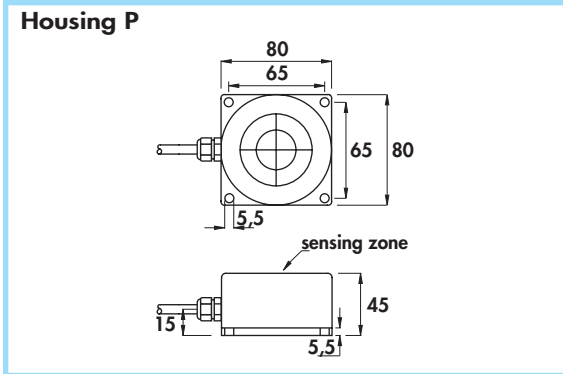


NAMUR SERIES - diameter 80 mm •
Non-amplified in d.c. 2 wires •
Cable and connector output M12 x 1 •



Materials:

- Cable: 2 m PVC CEI 20 - 22 II; 90°C; 300 V; O.R.
- Housing: plastic
- Connector: nickel plated brass

Technical data:

- Working voltage: $5 \div 30$ Vdc
- Supply voltage according to NAMUR: $7,7 \div 9$ Vdc
- Max ripple: 10%
- Consumption at 8,2 V con $R_x = 1000 \Omega$
 - with metal: ≤ 1 mA
 - without metal: ≥ 3 mA
- Temperature range: $-25^\circ \div +70^\circ$ C
- Max thermal drift of sensing distance S_n : $\pm 10\%$
- Repeat accuracy (R): 2%
- Degree of protection: IP67
- Cable conductor cross section (cable version): $0,75$ mm²
- According to EN60947-5-6
- Electromagnetic compatibility (EMC) according to EN60947-5-2
- Shock and vibration resistance according to EN60068-2-27 EN60068-2-6
- For certified ATEX version see ATEX Catalogue

Housing	Flush mounting Non flush mounting	Cable diameter	Female connector	Sensing zone diameter	Max switching frequency (f)	Nominal sensing distance (S _n) ± 10%	ORDERING REFERENCES
		mm	n°	mm	KHz	mm	
P	•	5	-	80	0,5	40	DC80B/5800
P-1	•	-	6-8B-10	80	0,5	40	DC80B/5300

