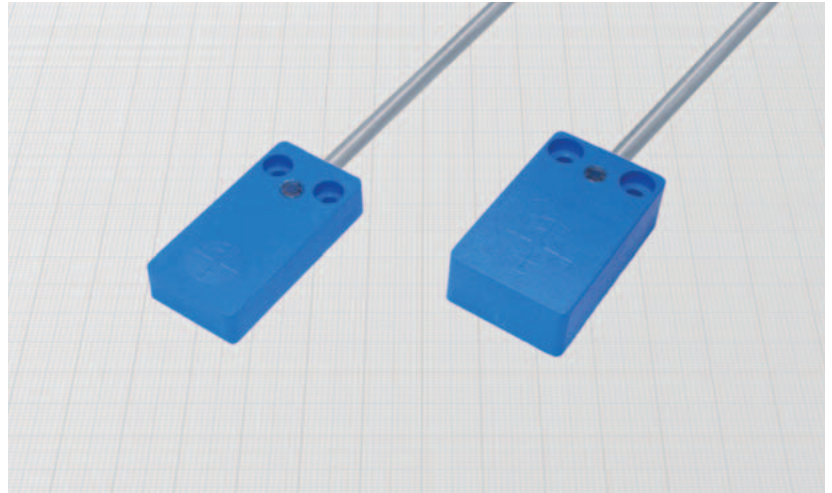
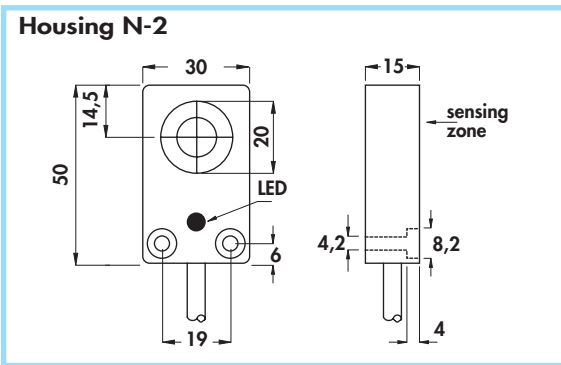
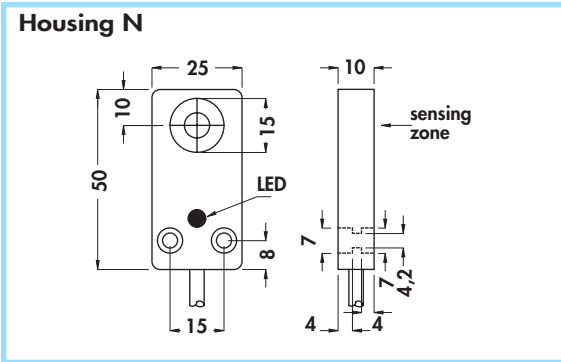


Type X and Y •  
 Amplified in a.c. 2 wires •  
 Cable output •

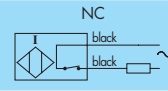


**Materials:**

- Cable: 2 m PVC CEI 20 - 22 II; 90°C; 300 V; O.R.
- Housing: plastic

**Technical data:**

- Supply voltage ( $U_B$ ): 20 ÷ 240 Vac
- Electrical system frequency: 40 ÷ 60 Hz
- Off-state current ( $I_f$ ): ≤ 1,5 mA a 110 Vac
- Minimum operational current ( $I_m$ ): 5 mA
- Voltage drop ( $U_d$ ): ≤ 5 V
- Temperature range: -25° ÷ +70°C
- Max thermal drift of sensing distance  $S_r$ : ± 10%
- Repeat accuracy (R): 2%
- Switching hysteresis (H): 10%
- Degree of protection: IP67
- Switch status indicator: yellow LED
- Cable conductor cross section: 0,50 mm<sup>2</sup>
- Suppression of initial false impulse
- Class 2 equipment according to IEC 536
- Shock and vibration according to EN60068-2-27 EN60068-2-6
- Electromagnetic compatibility (EMC) according to EN60947-5-2

Housing	Flush mounting Non flush mounting	Cable diameter	Sensing zone diameter	Max switching frequency (f)	Rated operational current ( $I_e$ )	Nominal sensing distance ( $S_n$ ) ± 10%	ORDERING REFERENCES	
							NO	NC
Z	• •	5	15	20	500	5	 <b>ACX/4609S</b> <b>ACX/5609S</b>	 <b>ACX/4619S</b> <b>ACX/5619S</b>
		5	15	20	500	8		
N-2	• •	5	23	20	500	10	<b>ACY/4609S</b> <b>ACY/5609S</b>	<b>ACY/4619S</b> <b>ACY/5619S</b>
		5	23	20	500	15		