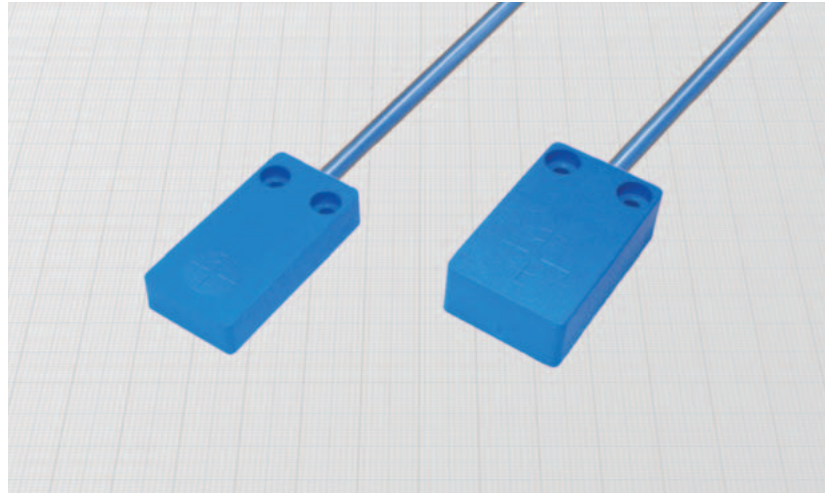
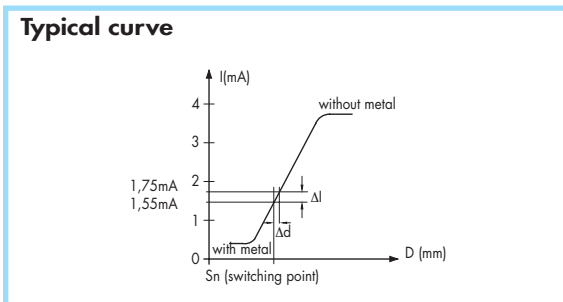
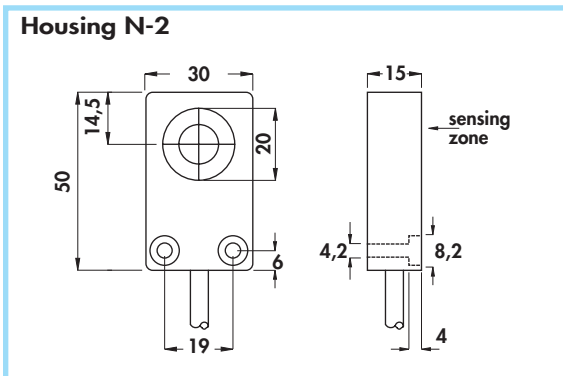
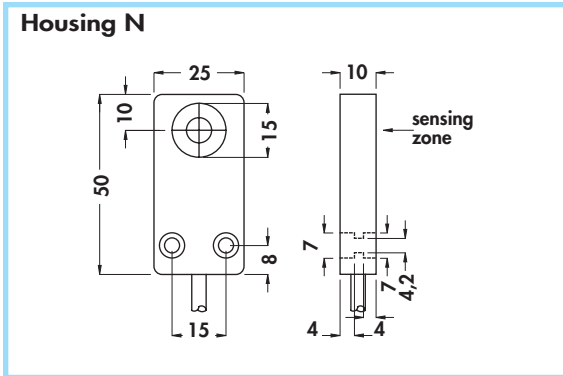


**NAMUR SERIES - Type X and Y** •  
**Non-amplified in d.c. 2 wires** •  
**Cable output** •



**Materials:**

- Cable: 2m PVC - CEI 2022 II- 90°C 300V.O.R.
- Housing: plastic

**Technical data:**

- Working voltage:  $5 \div 30$  Vdc
- Supply voltage according to NAMUR:  $7,7 \div 9$  Vdc
- Max ripple: 10%
- Consumption at 8,2 V con  $R_x = 1000 \Omega$ 
  - with metal:  $\leq 1$  mA
  - without metal:  $\geq 3$  mA
- Temperature range:  $-25^\circ \div +70^\circ$  C
- Max thermal drift of sensing distance  $S_r$ :  $\pm 10\%$
- Repeat accuracy (R): 2%
- Degree of protection: IP67
- Cable conductor cross section:  $0,75 \text{ mm}^2$
- According to EN60947-5-6
- Electromagnetic compatibility (EMC) according to EN60947-5-2
- Shock and vibration resistance according to EN60068-2-27 EN60068-2-6
- For certified ATEX version see ATEX Catalogue

Housing	Montaggio a filo	Montaggio sporgente	Cable diameter	Sensing zone diameter	Max switching frequency (f)	Nominal sensing distance (S <sub>n</sub> ) ± 10%	ORDERING REFERENCES
			mm	mm	KHz	mm	
Z	•	•	5	15	2	5	<b>DCX/4700</b> <b>DCX/5700</b>
			5	15	1	8	
N-2	•	•	5	23	0,8	10	<b>DCY/4700</b> <b>DCY/5700</b>
			5	23	0,4	15	

