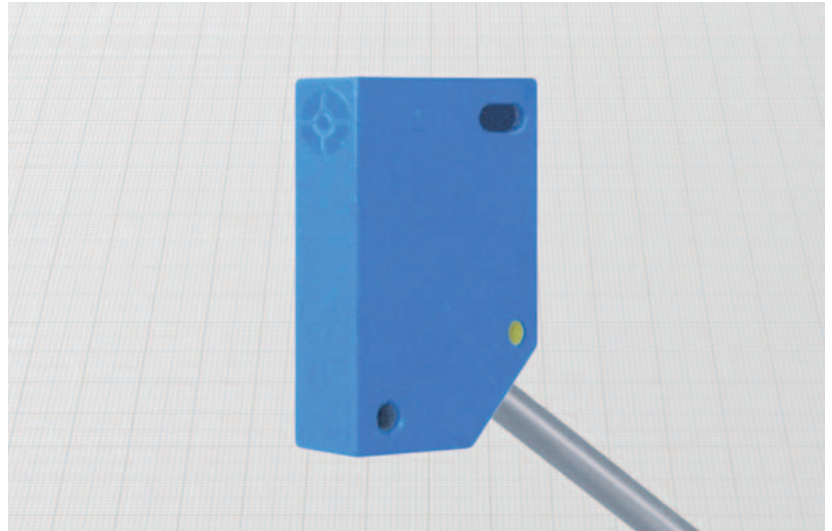
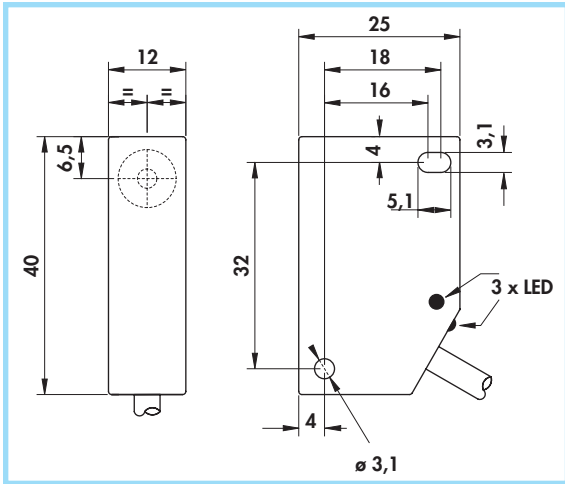


Type T •
Amplified in d.c. 3 and 4 wires •
Cable output •



Materials:

- Cable: 2 m PVC CEI 20 - 22 II; 90°C; 300 V; O.R.
- Housing: plastic

Technical data:

- Supply voltage (U_B): $5 \div 40$ Vdc
- Max ripple: 10%
- No-load supply current (I_0): ≤ 10 mA
- Voltage drop (U_d): $\leq 1,5$ V
- Temperature range: $-25^\circ \div +75^\circ\text{C}$
- Max thermal drift of sensing distance S_r : $\pm 10\%$
- Repeat accuracy (R): 2%
- Switching hysteresis (H): 10%
- Degree of protection: IP67
- Switch status indicator: yellow LED
- Cable conductor cross section: $0,25 \text{ mm}^2$ on 4 wires versions
 $0,35 \text{ mm}^2$ on 3 wires versions
- Protected against short-circuit and overload
- Protected against any wrong connection
- Suppression of initial false impulse
- Electromagnetic compatibility (EMC) according to EN60947-5-2
- Shock and vibration resistance according to EN60068-2-27 EN60068-2-6

Montaggio a filo Montaggio sporgente	Cable diameter mm	Sensing pzone diameter mm	Max switching frequency (f) KHz	Rated operational current (I _e) mA	Nominal sensing distance (S _n) ± 10% mm	ORDERING REFERENCES		
						PNP (positive switching)		
•	4	9	1	200	2	DCAT/4709KS	DCAT/4719KS	DCAT/4729KS
•	4	9	0,8	200	4	DCAT/5709KS	DCAT/5719KS	DCAT/5729KS
						NPN (negative switching)		
						Use the above mentioned part number changing the last number 9 with 8 (ie. DCAT/4708KS)		