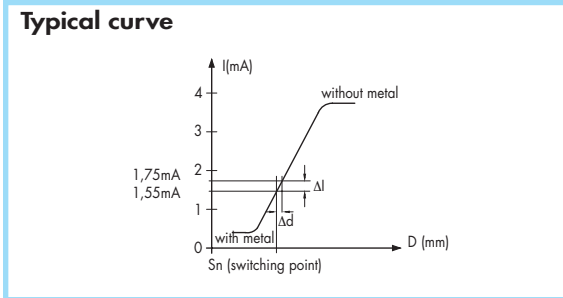
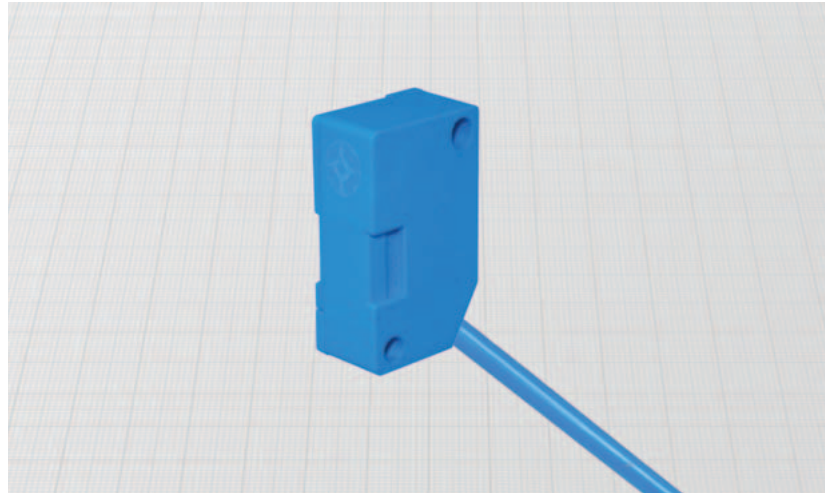
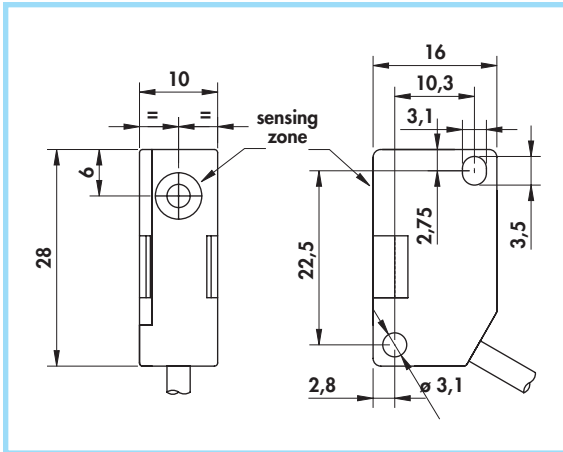


NAMUR SERIES - Type Z •
Non-amplified in d.c. 2 wires •
 Cable output •



Materials:

- Cable: 2 m PVC CEI 20 - 22 II; 90°C; 300 V; O.R.
- Housing: plastic

General Features:

This sensor has the same shape and fixing holes as V3 standard microswitches. The particular cable position allows the mounting on every side of the housing.

Technical data:

- Working voltage: $5 \div 30$ Vdc
- Supply voltage according to NAMUR: $7,7 \div 9$ Vdc
- Max ripple: 10%
- Consumption at 8,2 V con $R_x = 1000 \Omega$
 - with metal: ≤ 1 mA
 - without metal: ≥ 3 mA
- Temperature range: $-25^\circ \div +70^\circ\text{C}$
- Max thermal drift of sensing distance S_n : $\pm 10\%$
- Repeat accuracy (R): 2%
- Degree of protection: IP67
- Cable conductor cross section: $0,15 \text{ mm}^2$
- According to EN 60947-5-6
- Electromagnetic compatibility (EMC) according to EN60947-5-2
- Shock and vibration resistance according to EN60068-2-27 EN60068-2-6
- For certified ATEX versions see ATEX Catalogue

Flush mounting Non flush mounting	Cable diameter	Sensing zone diameter	Max switching frequency (f)	Nominal sensing distance (S_n) $\pm 10\%$	ORDERING REFERENCES
	mm	mm	KHz	mm	
•	3	9	2	2	DCZ/4600
•	3	9	1	4	DCZ/5600