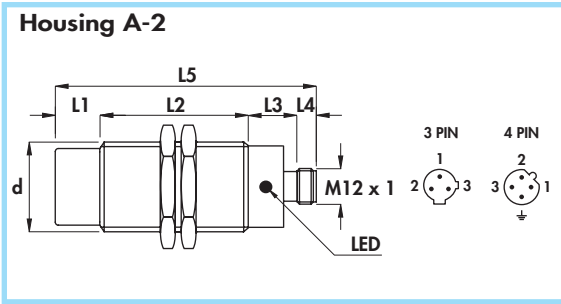


# CYLINDRICAL INDUCTIVE SENSORS IN METAL HOUSING

- Diameter 30 mm
- Amplified in a.c.
- Connector output M12 x 1



Diameter	M30 x 1,5	
Nut	Size	SW36
	Thickness mm	5
Max tightening torque Nm	80	



### Materials:

- Housing: nickel plated brass
- Sensing face: plastic

### Technical data:

- Supply voltage ( $U_B$ ): 20 ÷ 240 Vac
- Electrical system frequency: 40 ÷ 60 Hz
- Off-state current ( $I_f$ ): ≤ 1,5 mA a 110 Vac
- Minimum operational current ( $I_m$ ): 5 mA
- Voltage drop ( $U_d$ ): ≤ 5 V
- Temperature range: - 25° ÷ + 70°C
- Max thermal drift of sensing distance  $S_r$ : ± 10%
- Repeat accuracy (R): 2%
- Switching hysteresis (H): 10%
- Degree of protection: IP67
- Switch status indicator: yellow LED
- Suppression of initial false impulse
- Electromagnetic compatibility (EMC) according to EN60947-5-2
- Shock and vibration resistance according to EN60068-2-27 EN60068-2-6

Housing	Flush mounting Non flush mounting	L1	L2	L3	L4	L5	Female connector	Body diameter (d)	Max switching frequency (f)	Rated operational current (I <sub>e</sub> )	Nominal sensing distance (S <sub>n</sub> ) ± 10%	ORDERING REFERENCES	
												4 PIN connector	
A-2	•	-	65	17	8	90	15 - 16	M30 x 1,5	20	500	10		
A-2	•	15	50	17	8	90	15 - 16	M30 x 1,5	20	500	15	<b>AC30/4109S</b> <b>AC30/5109S</b>	<b>AC30/4119S</b> <b>AC30/5119S</b>

Housing	Flush mounting Non flush mounting	L1	L2	L3	L4	L5	Female connector	Body diameter (d)	Max switching frequency (f)	Rated operational current (I <sub>e</sub> )	Nominal sensing distance (S <sub>n</sub> ) ± 10%	3 PIN connector according to EN60947-5-2	
												3 PIN connector according to EN60947-5-2	
A-2	•	-	65	17	8	90	17 - 18	M30 x 1,5	20	500	10		
A-2	•	15	50	17	8	90	17 - 18	M30 x 1,5	20	500	15	<b>AC30/4009S</b> <b>AC30/5009S</b>	<b>AC30/4019S</b> <b>AC30/5019S</b>