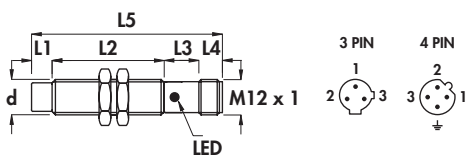
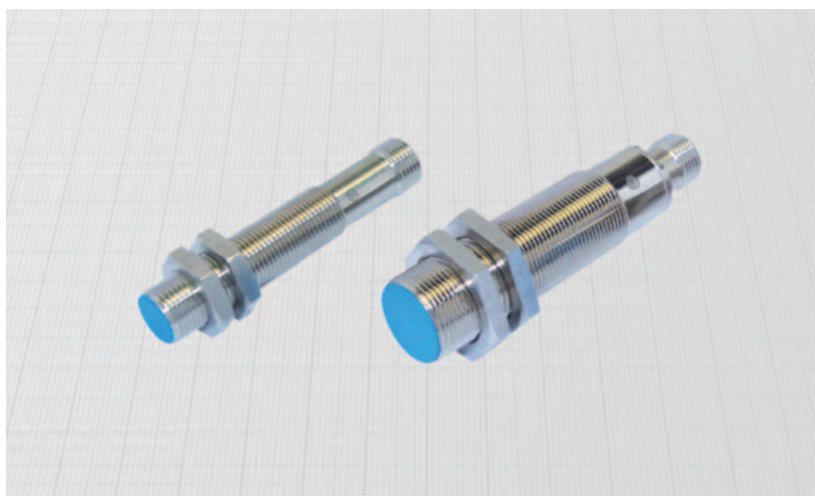
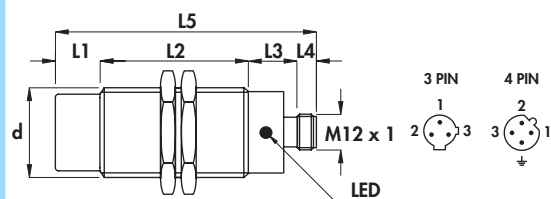


Diameters 12 - 18 mm •
 Amplified in a.c. •
 Connector output M12 x 1 •

Housing A-7



Housing A-1



Diameter	M12 x 1	M18 x 1
Nut	Size	SW17
	Thickness mm	4
Max tightening torque Nm	15	35

Materials:

- Housing: nickel plated brass
- Sensing face: plastic

Technical data:

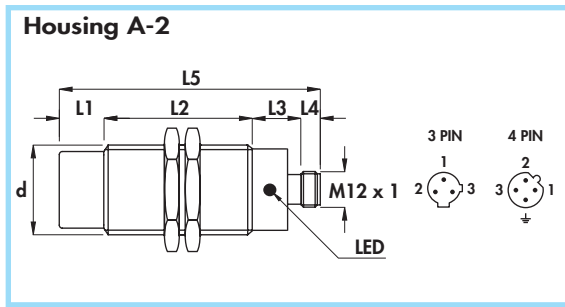
- Supply voltage (U_B): 20 ÷ 240 Vac
- Electrical system frequency: 40 ÷ 60 Hz
- Off-state current (I_o): ≤ 1,5 mA at 110 Vac
- Minimum operational current (I_m): 5 mA
- Voltage drop (U_d): ≤ 5 V
- Temperature range: -25° ÷ +70°C
- Max thermal drift of sensing distance S_T : ± 10%
- Repeat accuracy (R): 2%
- Switching hysteresis (H): 10%
- Degree of protection: IP67
- Switch status indicator: yellow LED
- Suppression of initial false impulse
- Shock and vibration according to EN60068-2-27 EN60068-2-6
- Electromagnetic compatibility (EMC) according to EN60947-5-2

Housing	Mounting	L1	L2	L3	L4	L5	Female connector	Body diameter (d)	Max switching frequency (f)	Rated operational current (I _o)	Nominal sensing distance (S _n) ± 10%	ORDERING REFERENCES	
												4 PIN connector	
A-7	•	-	43	15	8	66	15 - 16	M12 x 1	25	500	2		
A-7	•	7	36	15	8	66	15 - 16	M12 x 1	25	500	4	AC12/4109S AC12/5109S	AC12/4119S AC12/5119S
A-1	•	-	50	19	8	77	15 - 16	M18 x 1	25	500	5		
A-1	•	10	50	19	8	87	15 - 16	M18 x 1	25	500	8	AC18/4109S AC18/5109S	AC18/4119S AC18/5119S

Housing	Mounting	L1	L2	L3	L4	L5	Female connector	Body diameter (d)	Max switching frequency (f)	Rated operational current (I _o)	Nominal sensing distance (S _n) ± 10%	3 PIN connector according to EN60947-5-2	
												3 PIN connector	
A-7	•	-	43	15	8	66	17 - 18	M12 x 1	25	500	2		
A-7	•	7	36	15	8	66	17 - 18	M12 x 1	25	500	4	AC12/4009S AC12/5009S	AC12/4019S AC12/5019S
A-1	•	-	50	19	8	77	17 - 18	M18 x 1	25	500	5		
A-1	•	10	50	19	8	87	17 - 18	M18 x 1	25	500	8	AC18/4009S AC18/5009S	AC18/4019S AC18/5019S

CYLINDRICAL INDUCTIVE SENSORS IN METAL HOUSING

- Diameter 30 mm
- Amplified in a.c.
- Connector output M12 x 1



Diameter	M30 x 1,5	
Nut	Size	SW36
	Thickness mm	5
Max tightening torque Nm	80	



Materials:

- Housing: nickel plated brass
- Sensing face: plastic

Technical data:

- Supply voltage (U_B): 20 ÷ 240 Vac
- Electrical system frequency: 40 ÷ 60 Hz
- Off-state current (I_f): ≤ 1,5 mA a 110 Vac
- Minimum operational current (I_m): 5 mA
- Voltage drop (U_d): ≤ 5 V
- Temperature range: - 25° ÷ + 70°C
- Max thermal drift of sensing distance S_r : ± 10%
- Repeat accuracy (R): 2%
- Switching hysteresis (H): 10%
- Degree of protection: IP67
- Switch status indicator: yellow LED
- Suppression of initial false impulse
- Electromagnetic compatibility (EMC) according to EN60947-5-2
- Shock and vibration resistance according to EN60068-2-27 EN60068-2-6

Housing	Flush mounting Non flush mounting	L1	L2	L3	L4	L5	Female connector	Body diameter (d)	Max switching frequency (f)	Rated operational current (I _e)	Nominal sensing distance (S _n) ± 10%	ORDERING REFERENCES	
												4 PIN connector	
A-2	•	-	65	17	8	90	15 - 16	M30 x 1,5	20	500	10		
A-2	•	15	50	17	8	90	15 - 16	M30 x 1,5	20	500	15	AC30/4109S AC30/5109S	AC30/4119S AC30/5119S

Housing	Flush mounting Non flush mounting	L1	L2	L3	L4	L5	Female connector	Body diameter (d)	Max switching frequency (f)	Rated operational current (I _e)	Nominal sensing distance (S _n) ± 10%	3 PIN connector according to EN60947-5-2	
												3 PIN connector according to EN60947-5-2	
A-2	•	-	65	17	8	90	17 - 18	M30 x 1,5	20	500	10		
A-2	•	15	50	17	8	90	17 - 18	M30 x 1,5	20	500	15	AC30/4009S AC30/5009S	AC30/4019S AC30/5019S