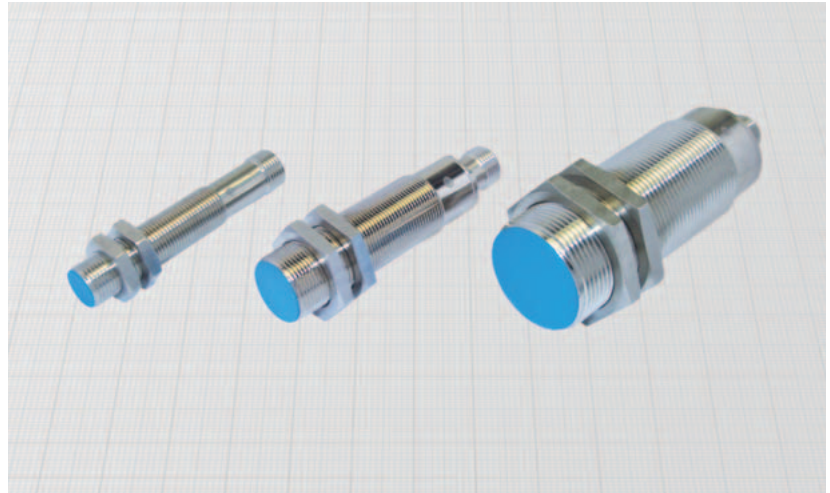
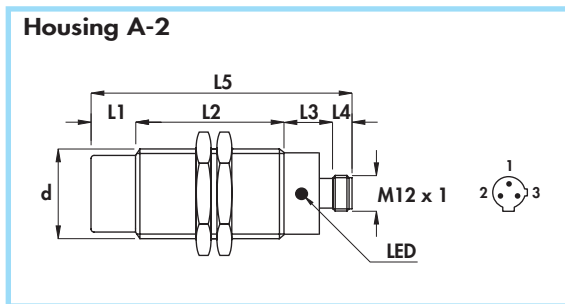
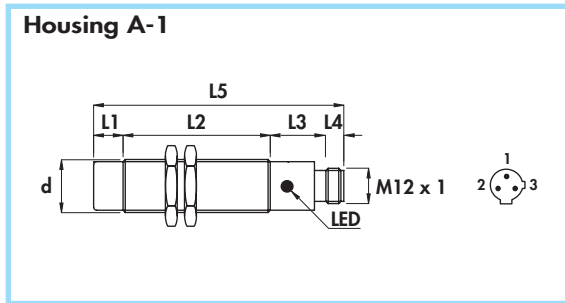
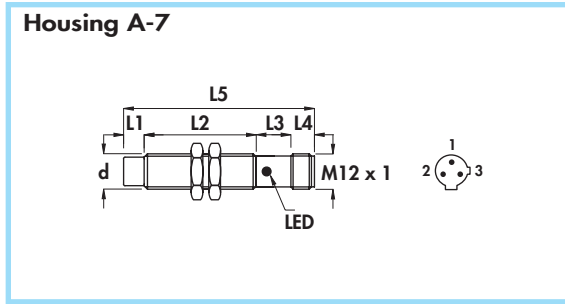


CYLINDRICAL INDUCTIVE SENSORS IN METAL HOUSING

- Voltage 20 ÷ 240 V \approx
- Amplified in d.c. + a.c.
- Connector output M12 x 1



Diameter		M12x 1	M18 x 1	M30 x 1,5
Nut	Size	SW17	SW24	SW36
	Thickness mm	4	4	5
Max tightening torque Nm		15	35	80

Materials:

- Housing: nickel plated brass
- Sensing face: plastic

General Features:

These sensors are able to work with either direct or alternate current. Voltage drop and residual current are very low. They are not polarized and the load can be connected on both the leads. In many applications they can be used to replace mechanical microswitches.

Technical data:

- Supply voltage (U_B): 20 ÷ 240 Vdc/Vac
- Electrical system frequency: 40 ÷ 60 Hz
- Off-state current (I_o) at 24 V: ≤ 1 mA
- Off-state current (I_o) at 220 V: $\leq 1,5$ mA
- Minimum operational current (I_m): 5 mA
- Voltage drop (U_d): ≤ 5 V
- Temperature range: -25° ÷ +70°C
- Max thermal drift of sensing distance S_p : $\pm 10\%$
- Repeat accuracy (R): 2%
- Switching hysteresis (H): 10%
- Degree of protection: IP67
- Switch status indicator: yellow LED
- Protected against short-circuit and overload
- Suppression of initial false impulse
- Class 2 equipment according to IEC 536
- Shock and vibration according to EN60068-2-27 EN60068-2-6
- Electromagnetic compatibility (EMC) according to EN60947-5-2

Housing	Flush mounting Non flush mounting	L1	L2	L3	L4	L5	Female connector	Body diameter (d)	Max switching frequency (f) in d.c.	Max switching frequency (f) in a.c.	Rated operational current (I_o)	Nominal sensing distance (S_p) $\pm 10\%$	ORDERING REFERENCES	
		mm	mm	mm	mm	mm							n°	mm
A-7	•	-	43	15	8	66	17-18	M12 x 1	800	25	100	2		
A-7	•	7	36	15	8	66	17-18	M12 x 1	600	25	100	4	AX12/4009KS AX12/5009KS	AX12/4019KS AX12/5019KS
A-1	•	-	50	19	8	77	17-18	M18 x 1	800	25	200	5	AX18/4009KS AX18/5009KS	AX18/4019KS AX18/5019KS
A-1	•	10	50	19	8	87	17-18	M18 x 1	400	25	200	8	AX18/4009KS AX18/5009KS	AX18/4019KS AX18/5019KS
A-2	•	-	65	17	8	90	17-18	M30 x 1,5	400	25	200	10	AX30/4009KS AX30/5009KS	AX30/4019KS AX30/5019KS
A-2	•	15	50	17	8	90	17-18	M30 x 1,5	200	25	200	15	AX30/4009KS AX30/5009KS	AX30/4019KS AX30/5019KS