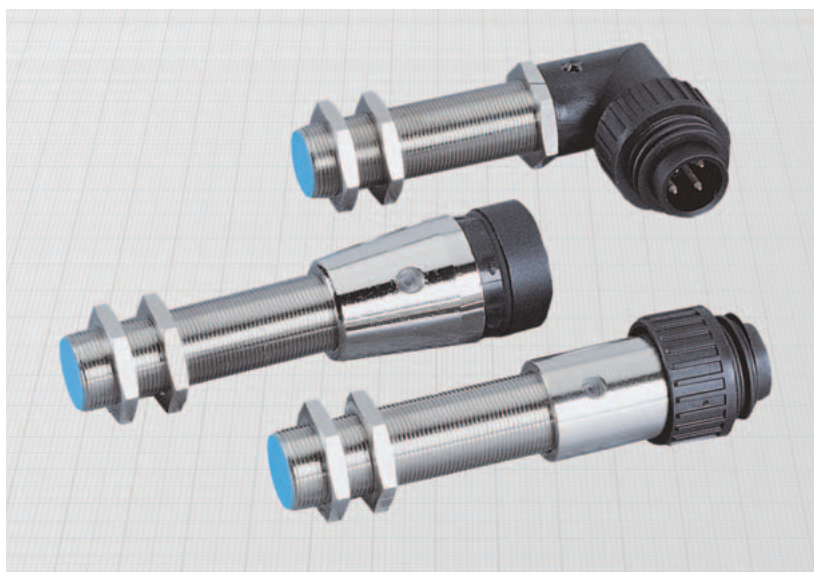
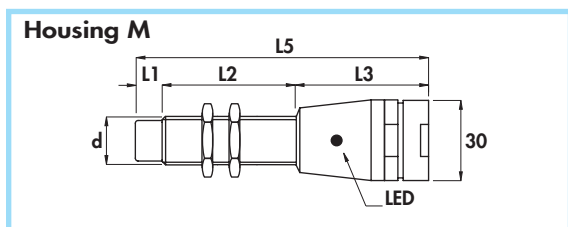
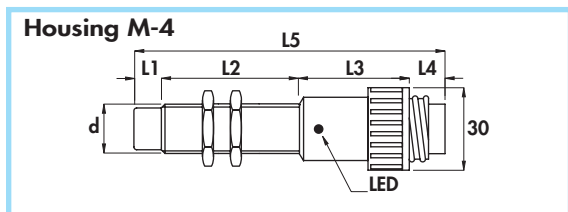
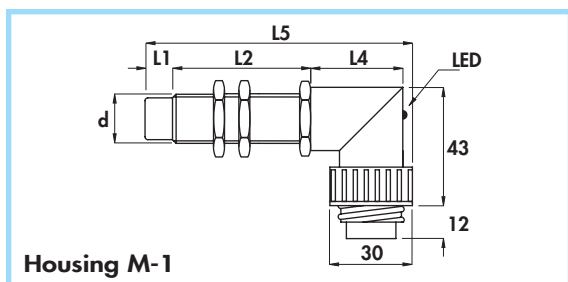


CYLINDRICAL INDUCTIVE SENSORS IN METAL HOUSING

- Diameter 18 mm •
- Amplified in d.c. •
- Connector output C1 - C2 •



Diameter	M18 x 1	
Nut	Size	SW24
	Thickness mm	4
Max tightening torque Nm	35	

Materials:

- Housing: nickel plated brass
- Sensing face and socket connector: plastic

Technical data:

- Supply voltage (U_B): $5 \div 60$ Vdc
- Max ripple: 10%
- No-load supply current (I_0): ≤ 10 mA
- Voltage drop (U_d): $\leq 2,2$ V
- Temperature range: $-25^\circ \div +75^\circ$ C
- Max thermal drift of sensing distance S_T : $\pm 10\%$
- Repeat accuracy (R): 2%
- Switching hysteresis (H): 10%
- Degree of protection: IP65
- Switch status indicator: yellow LED
- Protected against short-circuit and overload
- Protected against any wrong connection
- Suppression of initial false impulse
- Electromagnetic compatibility (EMC) according to EN60947-5-2
- Shock and vibration resistance according to EN60068-2-27 EN60068-2-6

Housing	Mounting	L1	L2	L3	L4	L5	Female connector	Body diameter (d)	Max switching frequency (f)	Rated operational current (I _e)	Nominal sensing distance (S _T) ±10%	ORDERING REFERENCES	
												PNP (positive switching)	
M-1	Flush mounting	-	60	-	33	96	1	M18 x 1	1	400	5		
M-4	Non flush mounting	-	60	40	13	113	1	M18 x 1	1	400	5	DCA18/4209KS	DCA18/4219KS
M-1	•	10	50	-	33	96	1	M18 x 1	1	400	8	DCA18/4409KS	DCA18/4419KS
M-4	•	10	50	40	13	113	1	M18 x 1	1	400	8	DCA18/5209KS	DCA18/5219KS
												DCA18/5409KS	DCA18/5419KS

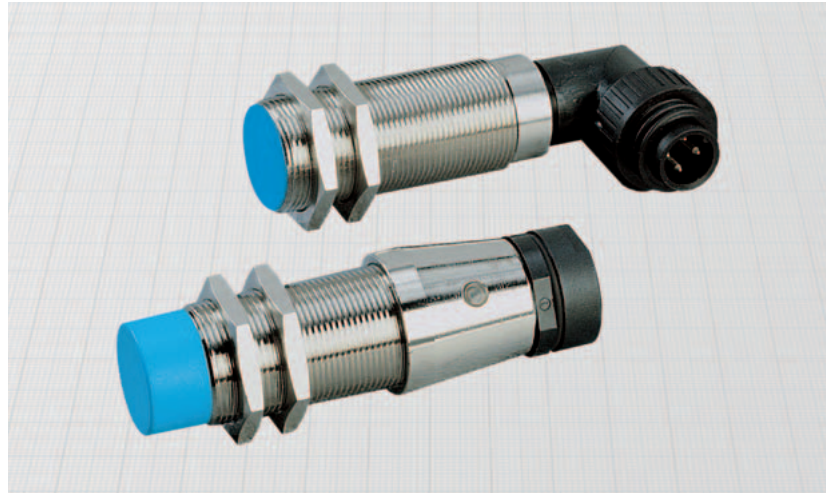
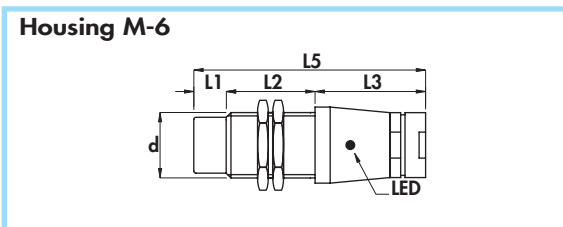
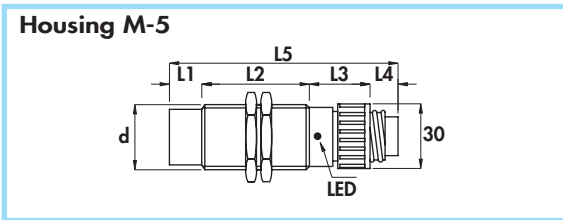
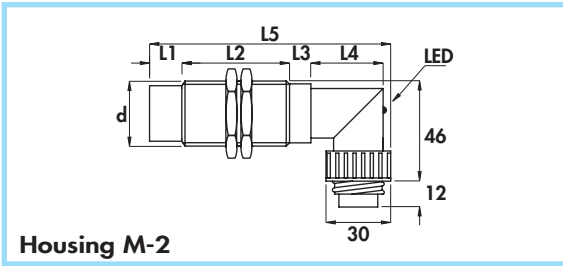
NPN (negative switching)													
Use the above mentioned part number changing the last number 9 with 8 (ie DCA18/4208KS)													

PNP (positive switching)														
Housing	Mounting	L1	L2	L3	L4	L5	Female connector	Body diameter (d)	Max switching frequency (f)	Rated operational current (I _e)	Nominal sensing distance (S _T) ±10%	ORDERING REFERENCES		
												NO	NC	NO + NC
M	•	-	60	50	-	110	2	M18 x 1	1	400	5			
M	•	10	50	50	-	110	2	M18 x 1	1	400	8	DCA18/4E09KS	DCA18/4E19KS	DCA18/4E29KS
												DCA18/5E09KS	DCA18/5E19KS	DCA18/5E29KS

NPN (negative switching)														
Use the above mentioned part number changing the last number 9 with 8 (ie DCA18/4E08KS)														

CYLINDRICAL INDUCTIVE SENSORS IN METAL HOUSING

- Diameter 30 mm
- Amplified in d.c.
- Connector output C1 - C2



Diameter	M30 x 1,5	
Nut	Size	SW36
	Thickness mm	5
Max tightening torque Nm	80	

Materials:

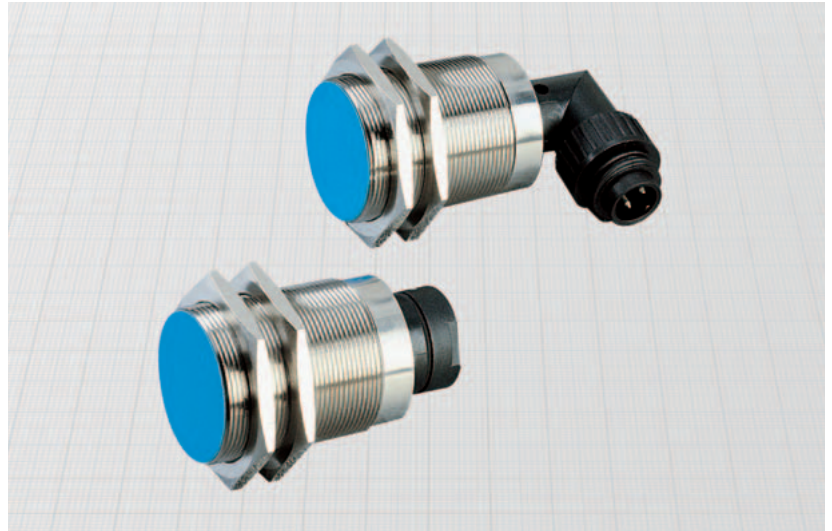
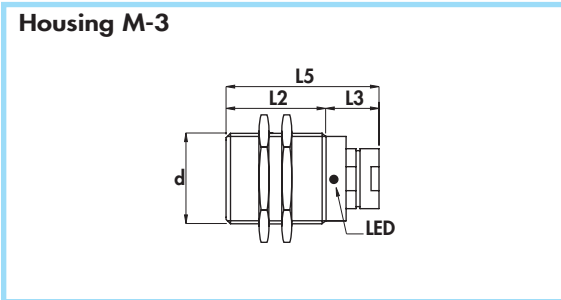
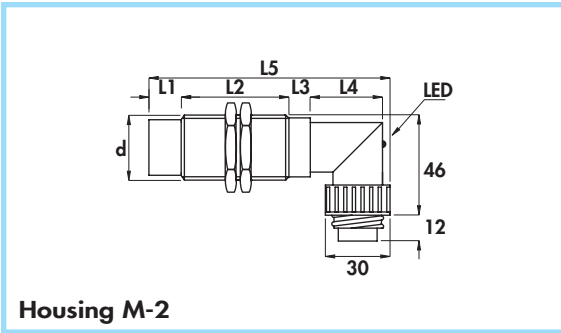
- Housing: nickel plated brass
- Sensing face and socket connector: plastic

Technical data:

- Supply voltage (U_b): 7 ÷ 60 Vdc
- Max ripple: 10%
- No-load supply current (I_o): ≤ 10 mA
- Voltage drop (U_d): ≤ 2,2 V
- Temperature range: -25° ÷ +75°C
- Max thermal drift of sensing distance S_r : ± 10%
- Repeat accuracy (R): 2%
- Switching hysteresis (H): 10%
- Degree of protection: IP65
- Switch status indicator: yellow LED
- Protected against short-circuit and overload
- Protected against any wrong connection
- Suppression of initial false impulse
- Electromagnetic compatibility (EMC) according to EN60947-5-2
- Shock and vibration resistance according to EN60068-2-27 EN60068-2-6

Housing	Flush mounting Non flush mounting	L1	L2	L3	L4	L5	Female connector	Body diameter (d)	Max switching frequency (f)	No-load supply current (I _o)	Nominal sensing distance (S _r) ±10%	ORDERING REFERENCES		
		mm	mm	mm	mm	mm						n°	mm	KHz
M-2	•	-	65	10	40	115	1	M30 x 1,5	0,8	400	10			
M-5	•	-	65	28	13	106	1	M30 x 1,5	0,8	400	10	DCA30/4209KS	DCA30/4219KS	
M-2	•	15	50	10	40	115	1	M30 x 1,5	0,4	400	15	DCA30/4409KS	DCA30/4419KS	
M-5	•	15	50	28	13	106	1	M30 x 1,5	0,4	400	15	DCA30/5209KS	DCA30/5219KS	
												NPN (negative switching)		
												Use the above mentioned part number changing the last number 9 with 8 (ie DCA30/4208KS)		
M-6	•	-	56	51	-	107	2	M30 x 1,5	0,8	400	10	DCA30/4E09KS	DCA30/4E19KS	DCA30/4E29KS
M-6	•	15	41	51	-	107	2	M30 x 1,5	0,4	400	15	DCA30/5E09KS	DCA30/5E19KS	DCA30/5E29KS
												NPN (negative switching)		
												Use the above mentioned part number changing the last number 9 with 8 (ie. DCA30/4E08KS)		

Diameter 45 mm •
 Amplified in d.c. •
 Connector output C1 - C2 •



Diameter	M45 x 1,5	
Nut	Size	SW55
	Thickness mm	5
Max tightening torque Nm	70	

Materials:

- Housing: nickel plated brass
- Sensing face and socket connector: plastic

Technical data:

- Supply voltage (U_B): 7 ÷ 60 Vdc
- Max ripple: 10%
- No-load supply current (I_0): ≤ 10 mA
- Voltage drop (U_d): ≤ 2,2 V
- Temperature range: -25° ÷ +75°C
- Max thermal drift of sensing distance S_T : ± 10%
- Repeat accuracy (R): 2%
- Switching hysteresis (H): 10%
- Degree of protection: IP65
- Switch status indicator: yellow LED
- Protected against short-circuit and overload
- Protected against any wrong connection
- Suppression of initial false impulse
- Electromagnetic compatibility (EMC) according to EN60947-5-2
- Shock and vibration resistance according to EN60068-2-27 EN60068-2-6

Housing	Flush mounting Non flush mounting	L1	L2	L3	L4	L5	Female connector	Body diameter (d)	Max switching frequency (f)	Rated operational current (I _e)	Nominal sensing distance (S _T) ± 10%	ORDERING REFERENCES		
												PNP (positive switching)		
M-2	•	-	50	10	42	102	1	M45 x 1,5	0,15	400	20			
												DCA45/4209KS	DCA45/4219KS	
												NPN (negative switching) Use the above mentioned part number changing the last number 9 with 8 (ie DCA45/4208KS)		
												PNP (positive switching)		
M-3	•	-	50	28	-	78	2	M45 x 1,5	0,15	400	20	DCA45/4E09KS	DCA45/4E19KS	DCA45/4E29KS
												NPN (negative switching) Use the above mentioned part number changing the last number 9 with 8 (ie DCA45/4E08KS)		